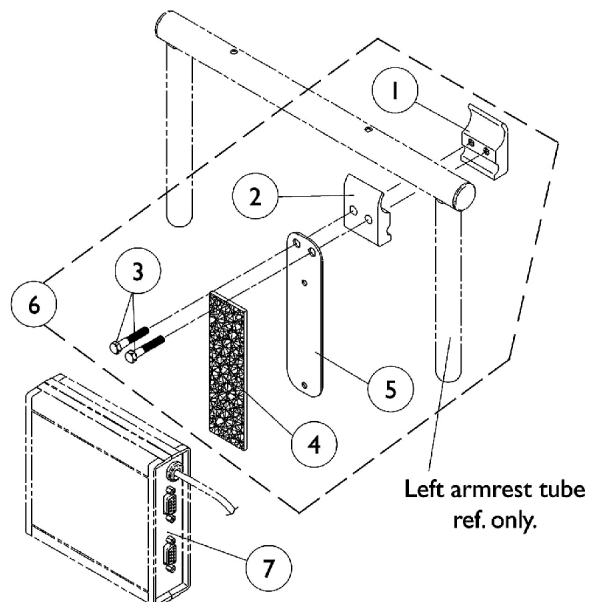


Auxiliary Modules AUX12 / AUX34 and Attaching Hardware



Item Number	Note	Part Number	Description	Quantity Per	
				Package	Assembly
6	A	1049592-NLA	NLA - Kit, COM12/AUX12 and COM34/AUX34 Mounting Hardware	1	1
1			NLA - Half Clamp, Threaded Holes	1	1
2			Half Clamp, Non-Threaded Holes	1	1
3			NLA - Screw, Hex Head (1/4-20 x 1-1/8")	1	2
4			NLA - Fastener, Dual Lock Hook and Loop Adhesive (2" W x 12" L)	1	1
5			NLA - Plate, COM12/AUX12 and COM34/AUX34 Mounting	1	1
7	B	See Note-NLA	See Footnote	1	1
7		1086241-NLA	NLA - Module, Communication, COM34/AUX34	1	1

NOTE: A - Includes items 1-5. Item 4 that is packaged with the kit will only be a 4" long "loop" fastener.
 B - Part is no longer serviceable in the field.