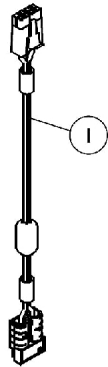
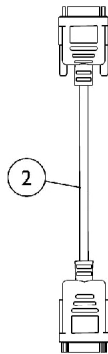


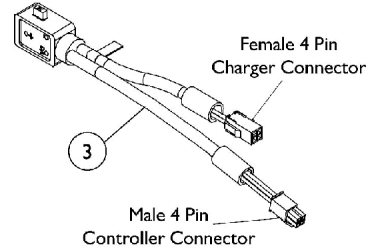
Controller, Cables, Programmer and Hardware MK5 NX-80 and MK5 EX



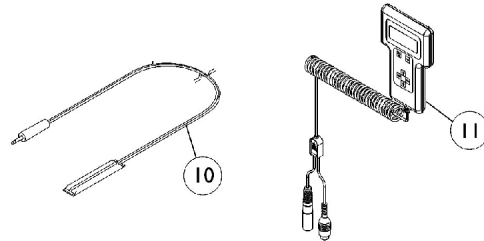
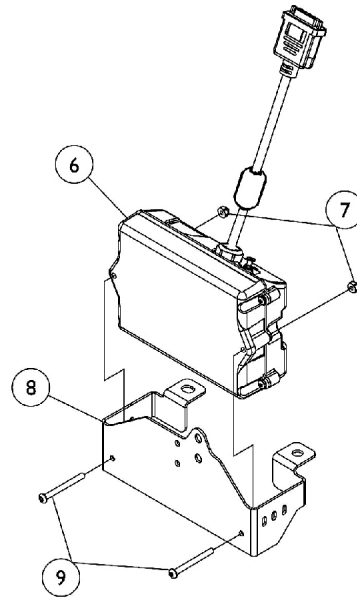
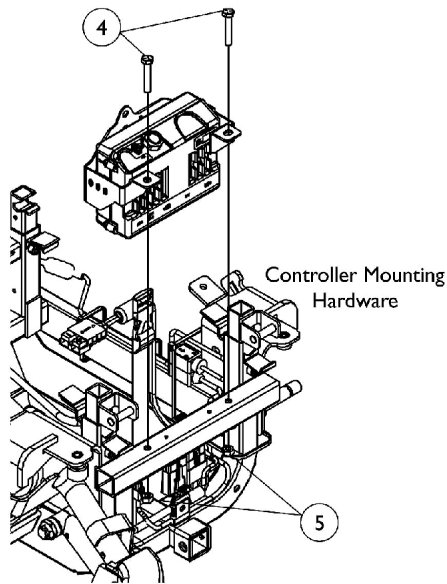
**Battery Extension
Cable**



**Joystick Extension
Cable**



**Power Option
Cable**



Controller, Cables, Programmer and Hardware MK5 NX-80 and MK5 EX

Item Number	Note	Part Number	Description	Quantity Per	
				Package	Assembly
1		1122199	Cable, Battery Extension, Red Connector	1	1
2		1122583-NLA	NLA - Cable, Joystick Extension, MK5	1	1
3	B	1123923-NLA	NLA - Cable, Power Controller Option, MK5 EX	1	1
4		1044939-NLA	NLA - Screw, Hex Head (5/16-18 x 1-3/4")	1	2
5		1026158	Locknut (5/16-18)	1	2
6		1122191-NLA	NLA - Controller, MK5 NX-80	1	1
6		1115750-NLA	NLA - Controller, MK5 EX	1	1
7		1025731	Locknut (#10-32)	1	2
8	E	1110665-NLA	NLA - Bracket, Controller Mounting, Black	1	1
	E	1112783-NLA	NLA - Bracket with Hardware, Controller, M91/M94	1	1
			NLA - Screw (#8-32 x 1/2")	1	1
			NLA - Screw, Hex Head (5/16-18 x 3/4")	1	1
			Washer, Steel (5/16 x 3/4 x 1/16")	1	1
			Locknut (5/16-18)	1	1
8			NLA - Bracket, Controller Mounting, Black	1	1
			Tie Wrap (11-1/2" L)	1	1
9		1121493-NLA	NLA - Screw, Socket Button Head (10-32 x 2")	1	2
10	C	1020818	Switch, Red Flex Ribbon (Tape) Reset	1	1
10	D	1123276	Kit, Switch, Black Egg Reset w/ Hook/Loop Adhesive Back Fastener & Attaching Screws (EGSBLK)	1	1
11		1109091-NLA	NLA - Programmer, Remote	1	1
	A	1095204-NLA	NLA - Cable, Virtual Service, Charger/Modem	1	1

NOTE: A - Not Shown
 B - Power Option Cable comes standard on chairs with MK5 EX controller
 C - Before 5/24/04
 D - Not Shown. After 5/23/04 the Egg Reset Switch replaced the Red Flex Ribbon (Tape) Reset Switch
 E - Part #1110665 is no longer available for sale individually. Order kit part #1112783 Controller Bracket w/ Hardware.
 Hardware inside carton is used for other Controller applications. Order 2 ea. of items 7 and 9 also.