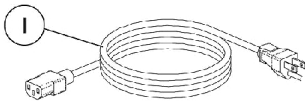
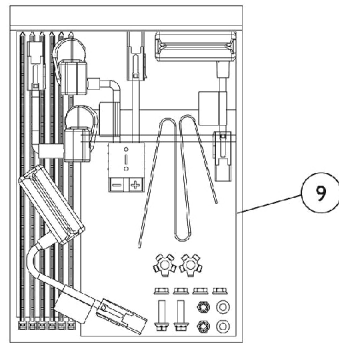
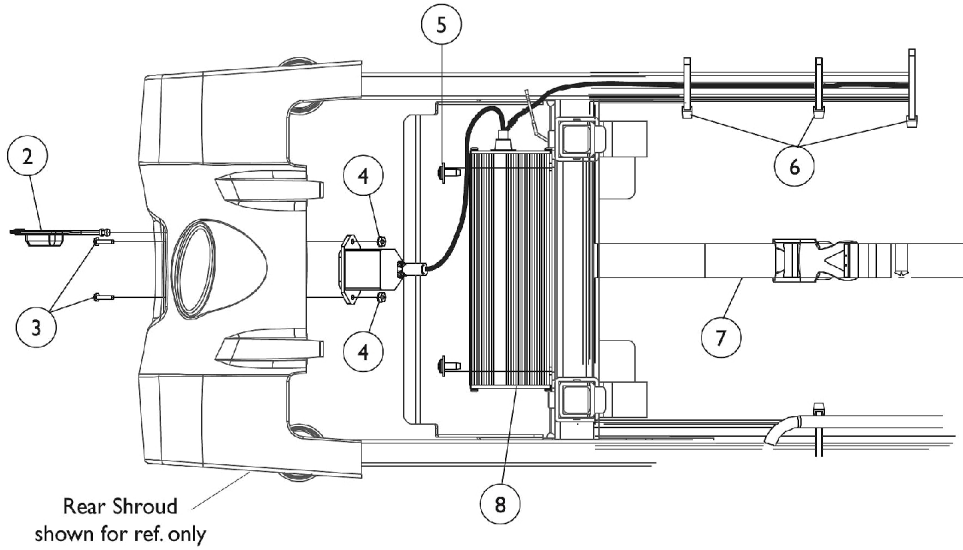


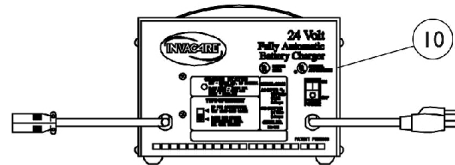
Battery Chargers, Harnesses, Straps, and Hardware



AC Charger Cord



Battery Harnesses
w/ Terminal
Hardware Kit



Battery Charger
8 Amp. (optional)

Battery Chargers, Harnesses, Straps, and Hardware

Item Number	Note	Part Number	Description	Quantity Per	
				Package	Assembly
1		1121086	Cord, AC Power, 115VAC, 3 Prong On-Board (6' 6-1/2" L)	1	1
2		1119198	Cover, Connector	1	1
3		1021742	Screw, Phillips Pan Head (#4-40 x 1/2")	1	4
4		P0870X000	Nut, Hex Keps (#4-40)	1	4
5		1099921-NLA	NLA - Screw, Phillips Pan Head (#10-16 x 5/8")	1	2
6		98007X005	Tie Wrap (11-1/2" L)	1	8
7		1080872-NLA	NLA - Strap and Buckle Assembly	1	1
8	D,E	1123526	Charger, Battery, Dual Mode 5 Amp, On-Board	1	1
8	D,E	1123526E-NLA	NLA - WARR RPLMT - Charger, Battery, Dual Mode 5 Amp, On-Board	1	1
9	A	1122814-NLA	NLA - Harness, Battery, 100 Amp w/ Terminal Hardware - MK5 (Red Connector)	1	1
10	B	1123249	Charger, Battery, 8 Amp. 115vac (Off Board) Single Mode Round Plug w/ AC Power Line Cord	1	1
10	B	1123249E-NLA	NLA - WARR RPLMT - Charger, Battery, 8 Amp, 115VAC (Off Board) Single Mode Round Plug w/ AC Power Line Cord	1	1
10	C,F	1053161-NLA	NLA - Charger, Battery, 8 Amp, 115vac, Off Board Dual Mode Round Plug, Lester	1	1

NOTE: A - Includes All battery harnesses, battery install instruction sheet, 1 ea. battery lift strap, 2 ea. washer locking tabs, 2 ea. 1/4-20 flange locknuts, 2 ea. 1/4-20 x 7/8" hex flange lock screws, 2 ea. 1/4-20 locknuts, and 6 ea. cable ties.
 B - Used on Gel Cell or AGM (Absorbed Glass Mat) batteries.
 C - Used on Wet Cell batteries.
 D - Although interchangeable, this charger may be different than the original. This charger was supplied by either Signet or CTE. The CTE charger has 2 LED's versus 1 LED on the Signet charger.
 E - The On Board Battery Charger is standard on chair.
 F - Use Battery Charger part number 1123249 as a replacement.