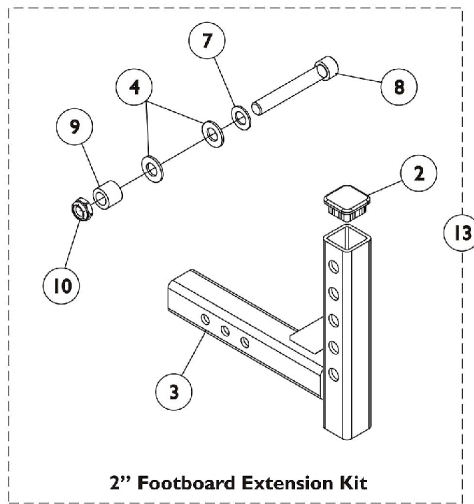
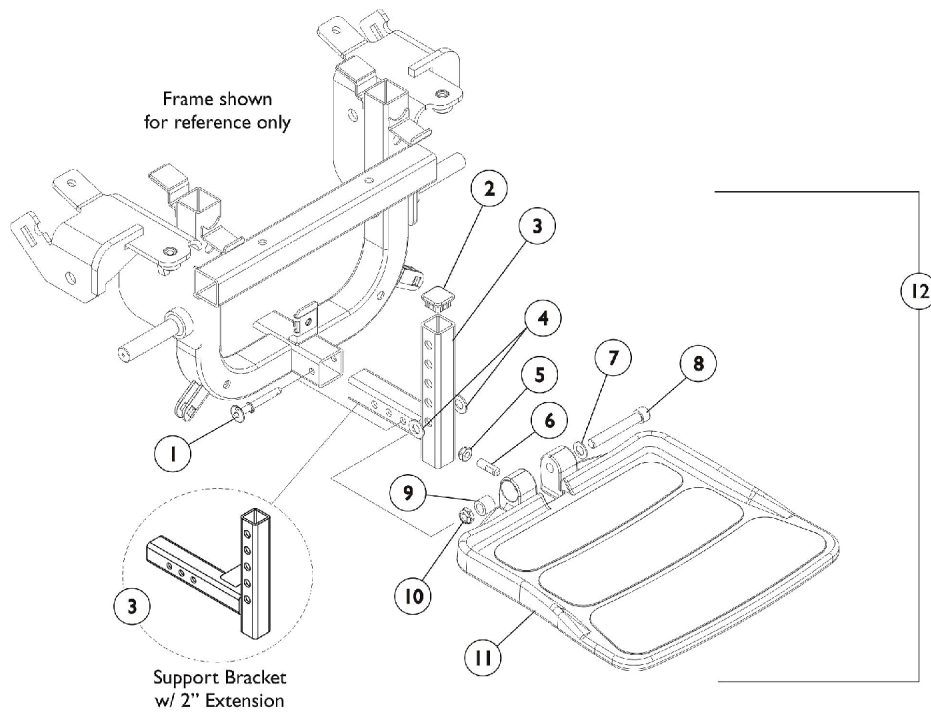


Footboard Assembly



Footboard Assembly

| Item Number | Note | Part Number | Description | Quantity Per | |
|-------------|-------|-------------|--|--------------|----------|
| | | | | Package | Assembly |
| 1 | | 1109011 | Pin, Quick Release | 1 | 1 |
| 2 | | 1105038 | Plug Button, Black (1" Square) | 1 | 1 |
| 3 | | 1106369 | Bracket, Footboard Support, Black | 1 | 1 |
| 3 | | 1115376 | Bracket, Footboard Support, Black (2" Extension) | 1 | 1 |
| 4 | | 1049527 | Washer, Nylon (3/8 x 3/4 x 1/16") | 1 | 2 |
| 5 | | 1028769 | Locknut (5/16-18) | 1 | 1 |
| 6 | | 1108457 | Screw, Set Socket Flat Point (5/16-18 x 1") | 1 | 1 |
| 7 | | 1065214 | Washer, Flat (3/8 x 11/16 x 1/16") | 1 | 1 |
| 8 | | 1106223 | Screw, Socket Head (3/8-16 x 2-1/2") | 1 | 1 |
| 9 | | 1105039 | Bushing (3/8 x 5/8 x 1/2") | 1 | 1 |
| 10 | | 1028486 | Locknut, Low Profile (3/8-16) | 1 | 1 |
| 11 | | 1114311 | Footboard w/ Cover (11-1/4" W x 11-1/2" L) | 1 | 1 |
| 12 | A | 1114312 | Footboard Assembly | 1 | 1 |
| 12 | A | 1124382 | Footboard Assembly with 2" Extension | 1 | 1 |
| 13 | B,C,D | 1115378 | Kit, 2" Footboard Extension | 1 | 1 |
| 2 | | | Plug Button, Black (1" Square) | 1 | 1 |
| 3 | | | Bracket, Footboard Support, Black (2" Extension) | 1 | 1 |
| 4 | | | Washer, Nylon (3/8 x 3/4 x 1/16") | 1 | 2 |
| 7 | | | Washer, Flat (3/8 x 11/16 x 1/16") | 1 | 1 |
| 8 | | | Screw, Socket Head (3/8-16 x 2-1/2") | 1 | 1 |
| 9 | | | Bushing (3/8 x 5/8 x 1/2") | 1 | 1 |
| 10 | | | Locknut, Low Profile (3/8-16) | 1 | 1 |
| | | | NLA - Bag, Zip-Lip (4" L x 4" W) | 1 | 1 |
| | | | NLA - Instruction Sheet, 2" Footboard Extension | 1 | 1 |
| | | | Carton, Shipper | 1 | 1 |

NOTE: A - Includes items 1-11
 B - Includes items 2-4, 7-10 plus instruction sheet
 C - Bag, Instruction Sheet, and Carton are not shown
 D - Part number 1114833 is no longer available from the Invacare Service Parts Department. Refer to the Invacare Website under "Product Literature Search". Enter the part number in the "Keywords" field and download a free PDF version copy.