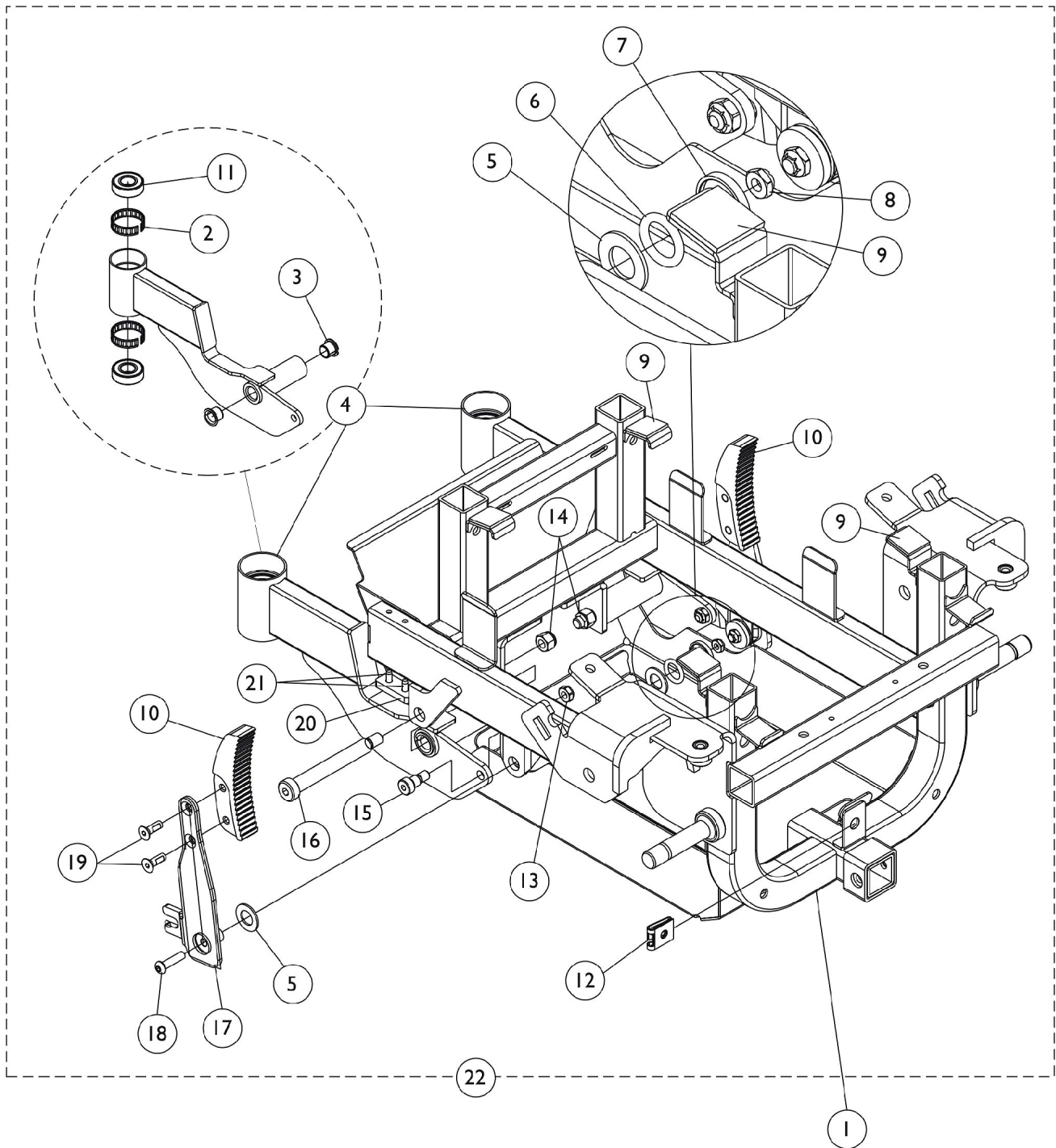


Frame, Swing Arms, and Stability Lock Hardware



Frame, Swing Arms, and Stability Lock Hardware

Item Number	Note	Part Number	Description	Quantity Per	
				Package	Assembly
1	C	1123357-NLA	NLA - Frame w/o Hardware, Black	1	1
		1119281-NLA	NLA - Plate, Name, Patent Numbers	1	1
2		1110717	Ring, Tolerance	1	4
3		1110669	Bearing, Flange (1/2 x 13/16 x 1/2")	1	4
4	A	1123350	Swing Arm Assembly, Rear, Black - Right	1	1
4	A	1123351	Swing Arm Assembly, Rear, Black - Left	1	1
5		1031673-NLA	NLA - Washer, Nylon (35/64 x 1 x 1/16")	1	4
6		1124379-NLA	NLA - O-Ring (19/32" I.D. x 9/64")	1	2
7		1123361-NLA	NLA - Washer, Cupped (1/4 x 1 x 5/32")	1	2
8		1025195	Locknut (1/4-20)	1	2
9		1070504-NLA	NLA - Fastener, Hook with Adhesive Back (1" W x 1" L)	1	4
10		1123322	Rack, Pivot	1	2
11		40117X006	Bearing (5/8")	1	4
12		1013497-NLA	NLA - Fastener, Turn, Clip-On (1/4")	1	2
13		1028769	Locknut (5/16-18)	1	2
14		0054106-NLA	NLA - Locknut, High Profile (3/8-16)	1	2
15		1126998	Screw, Shoulder Hex Socket Head w/ Patch (3/8" x 3/8", 5/16-18)	1	2
16		1117192-NLA	NLA - Screw, Shoulder Hex Socket Head (1/2 x 3-1/2", 3/8-16)	1	2
17		1123328	Link, Pivot, Black - Right	1	1
17		1123329	Link, Pivot, Black - Left	1	1
18		0051606-NLA	NLA - Screw, Cap, Button Head, Socket (1/4-20 x 1")	1	2
19		1091869-NLA	NLA - Screw, Socket Flat Head w/ Patch (1/4-20 x 3/4")	1	4
20		1123346-NLA	NLA - Bumper, Rear Swing Arm	1	2
21		1099921-NLA	NLA - Screw, Phillips Pan Head (#10-16 x 5/8")	1	4
22	B	1123362-NLA	NLA - Hardware, Stability Lock	1	1

NOTE: A - Includes Swing Arm plus items 2,3, & 11
 B - Includes items 2-21
 C - Not Shown