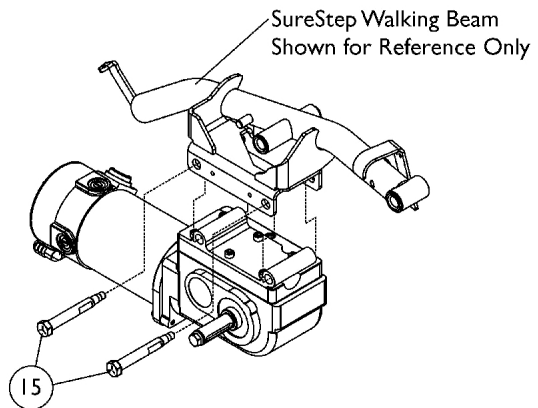
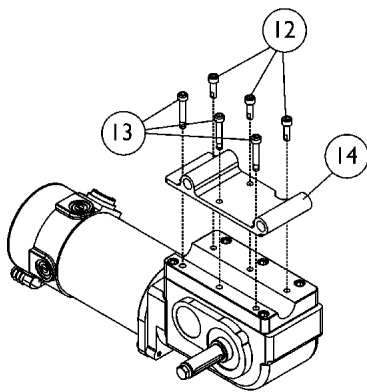
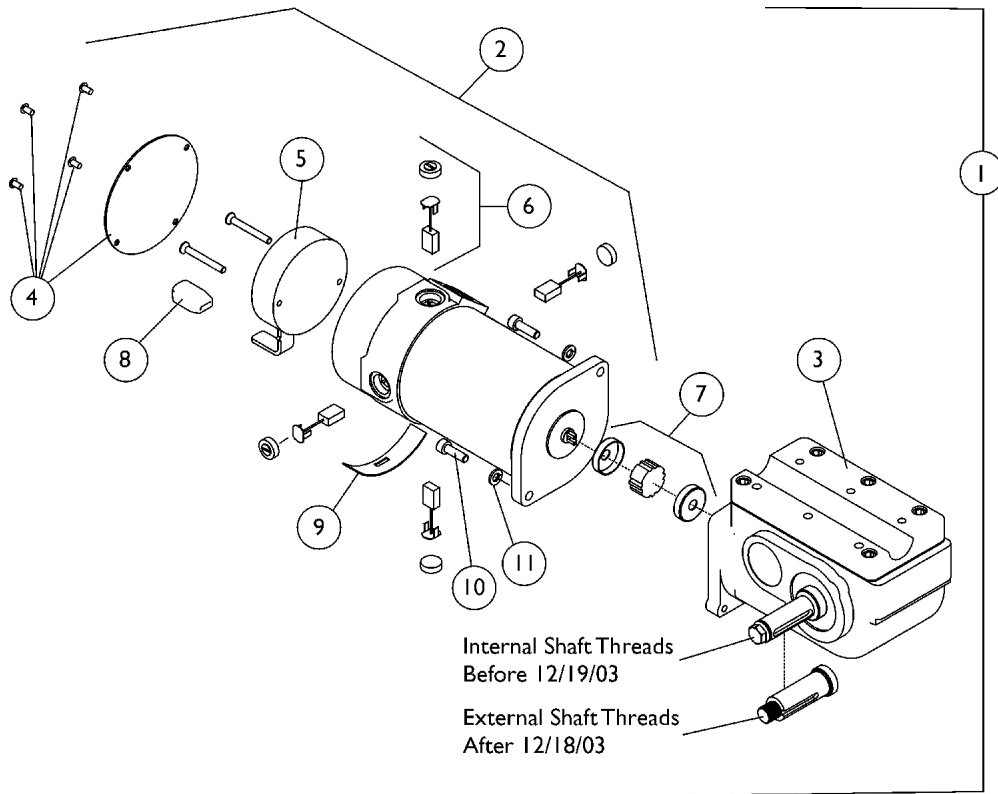


Motor and Gearbox Assembly

400 Lb. Limit



Motor and Gearbox Assembly 400 Lb. Limit

Item Number	Note	Part Number	Description	Quantity Per	
				Package	Assembly
1	A,C	1110652-NLA	NLA - Motor/Gearbox Assembly - Right	1	1
1	A,C	1110653-NLA	NLA - Motor/Gearbox Assembly - Left	1	1
1	A,D,G	1121491	Motor/Gearbox Assembly with Brake Cap - Right	1	1
1	A,D,G	1121491E-NLA	NLA - WARR RPLMT - Motor/Gearbox Assembly with Brake Cap - Right	1	1
1	A,D,G	1121492	Motor/Gearbox Assembly with Brake Cap - Left	1	1
1	A,D,G	1121492E-NLA	NLA - WARR RPLMT - Motor/Gearbox Assembly with Brake Cap - Left	1	1
2	B,C	1114494-NLA	NLA - Motor Assembly - Right	1	1
2	B,C	1114495-NLA	NLA - Motor Assembly - Left	1	1
2	B,D	1121483	Motor Assembly - Right	1	1
2	B,D	1121484	Motor Assembly - Left	1	1
3	C,F	1086228-NLA	NLA - Gearbox - Right	1	1
3	C,F	1086227-NLA	NLA - Gearbox - Left	1	1
3	D,F	1106172-NLA	NLA - Gearbox - Right	1	1
3	D,F	1106173-NLA	NLA - Gearbox - Left	1	1
4		1104402-NLA	NLA - Cover, Brake w/ Screws, Black	1	1
5	I	1116429-NLA	NLA - Kit, Brake Repair - Right	1	1
5	I	1116428-NLA	NLA - Kit, Brake Repair - Left	1	1
6	H	1070296-NLA	NLA - Kit, Brushes with Caps, 4-Pole	1	1
			Brush, Motor, 4 Pole	1	4
			Cap, Brush	1	4
			Instruction Sheet	1	1
7		50000X007-NLA	NLA - Coupling w/ Cup (1-5/16" Diameter)	1	1
8		1114493-NLA	NLA - Cap, End, Brake, Black	1	1
9		1082985-NLA	NLA - Plate, Slotted	1	1
10	F	1108978	Screw, Socket Head (M6 x 1 x 20mm)	1	2
10	F	1043594	Screw, Socket Head (1/4-20 x 1-1/8")	1	2
11		10502X001-NLA	NLA - Lockwasher (1/4")	1	2
12		1071505	Screw, Socket w/ Patch (M6 x 1 x 20mm)	1	3
13		1071504-NLA	NLA - Screw, Socket w/ Patch (M6 x 1 x 35mm)	1	3
14		1113436-NLA	NLA - Plate, Motor/Gearbox Mounting - Right	1	1
14		1113437-NLA	NLA - Plate, Motor/Gearbox Mounting - Left	1	1
15		1113600	Pin, Motor Release	1	2
	E	1090357-NLA	NLA - Wrap, Slit Wire Harness (1/2" O.D., 36" Long Cut To Length)	1	1

NOTE: A - Includes items 3-11.
 B - Includes items 4-6 and 8-11.
 C - Chairs built Before 12/19/03
 D - Chairs built After 12/18/03
 E - Not Shown, covers the motor lead wire between the connector and motor
 F - When a new gearbox or mounting screws are ordered, (2 ea.) metric and (2 ea.) non-metric screws (item 10) must be ordered. Invacare Corp. utilizes alternate suppliers for this part number.
 G - As of May 2008, the Metal Motor End Cap will be replaced with a Composite Motor End Cap. The change does not affect form, fit, function or aesthetics.
 H - Kit includes (4) Brushes, (4) Brush Caps and Instruction Sheet.
 I - Use existing screws when installing the Brake Repair Kit. The Motor Brake Mounting Screws are not saleable.