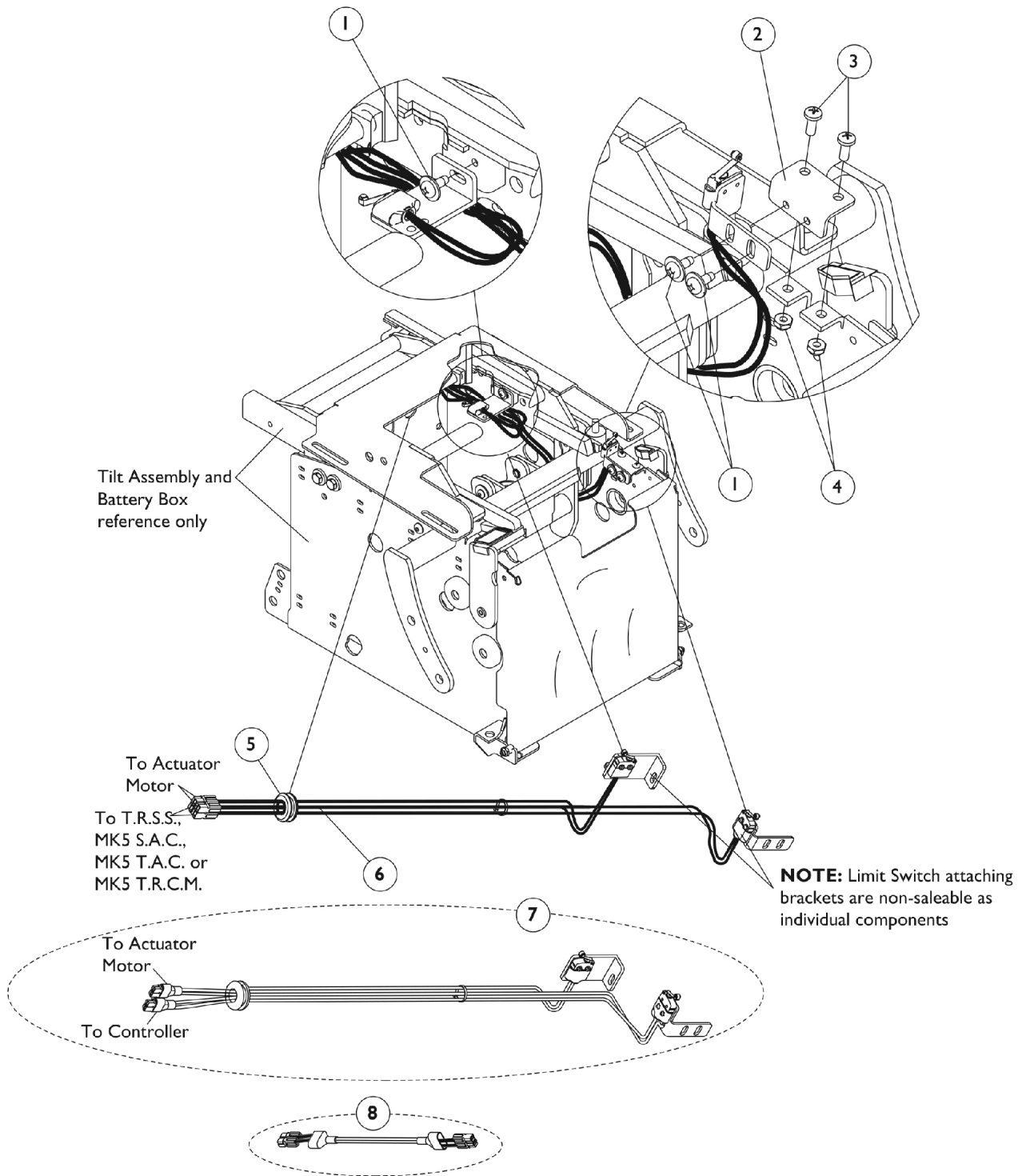


# Limit Switch Harness and Mounting Hardware



## Limit Switch Harness and Mounting Hardware

| Item Number | Note | Part Number | Description                                    | Quantity Per |          |
|-------------|------|-------------|--|--------------|----------|
|             |      |             |  | Package      | Assembly |
| 1           |      | 1114308     | Screw, Phillips Pan Head Tap (#10-32 x 1/2")   | 1            | 3        |
| 2           |      | 1120233-NLA | NLA - Bracket, Limit Switch Mounting, Black    | 1            | 1        |
| 3           |      | 1026114     | Screw, Phillips Pan Head (#10-32 x 1/2")       | 1            | 2        |
| 4           |      | 1025735     | Locknut (#10-32)                               | 1            | 2        |
| 5           |      | 1055747-NLA | NLA - Grommet, Rubber                          | 1            | 1        |
| 6           | A    | 1120249-NLA | NLA - Harness, Limit Switch                    | 1            | 1        |
| 7           |      | 1144526-NLA | NLA - Harness, Limit Switch (MK6i Electronics) | 1            | 1        |
| 8           | C    | 1145414     | Cable, Actuator Jumper Adapter (MK6i)          | 1            | 1        |
|             | B    | 1095502-NLA | NLA - Package, Tie Wrap (11-1/2" L)            | 10           | 1        |
|             | B    | 1095503-NLA | NLA - Package, Tie Wrap (5-5/8" L)             | 10           | 1        |

NOTE: A - Limit switch harness includes the limit switch attaching brackets and rubber grommet as shown assembled in drawing  
 B - Not Shown  
 C - Used with item #7 Limit Switch Harness only.