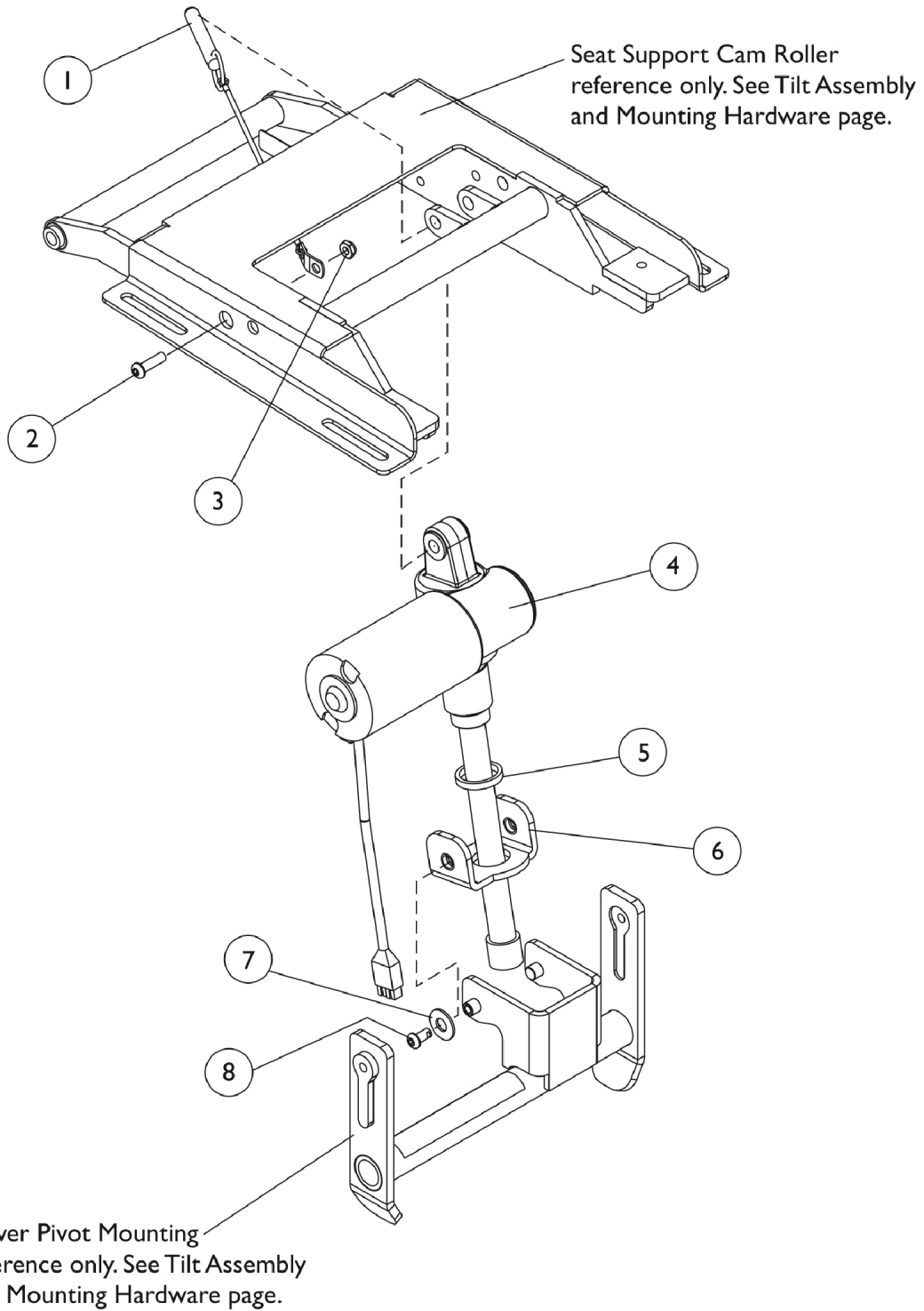


Tilt Actuator and Mounting Hardware



Tilt Actuator and Mounting Hardware

Item Number	Note	Part Number	Description	Quantity Per	
				Package	Assembly
1		1120223-NLA	NLA - Pin, Quick Release with Lanyard (3/8")	1	1
2		1028410-NLA	NLA - Screw, Socket Button Head (1/4-20 x 7/8")	1	1
3		1025195	Locknut (1/4-20)	1	1
4	A	1120173	Actuator Motor w/o Hardware	1	1
5		1120221	Spacer, Ball Screw (7/8 x 1-1/4 x 3/16")	1	1
6		1120231-NLA	NLA - Bracket, Lower Screw Pivot	1	1
7		1012371	Washer, Nylon (3/8 x 7/8 x 1/16")	1	1
8		1100023	Screw, Button Head w/ Patch (1/4-20 x 1/2")	1	1

NOTE: A - Actuator does not includes items 5-8