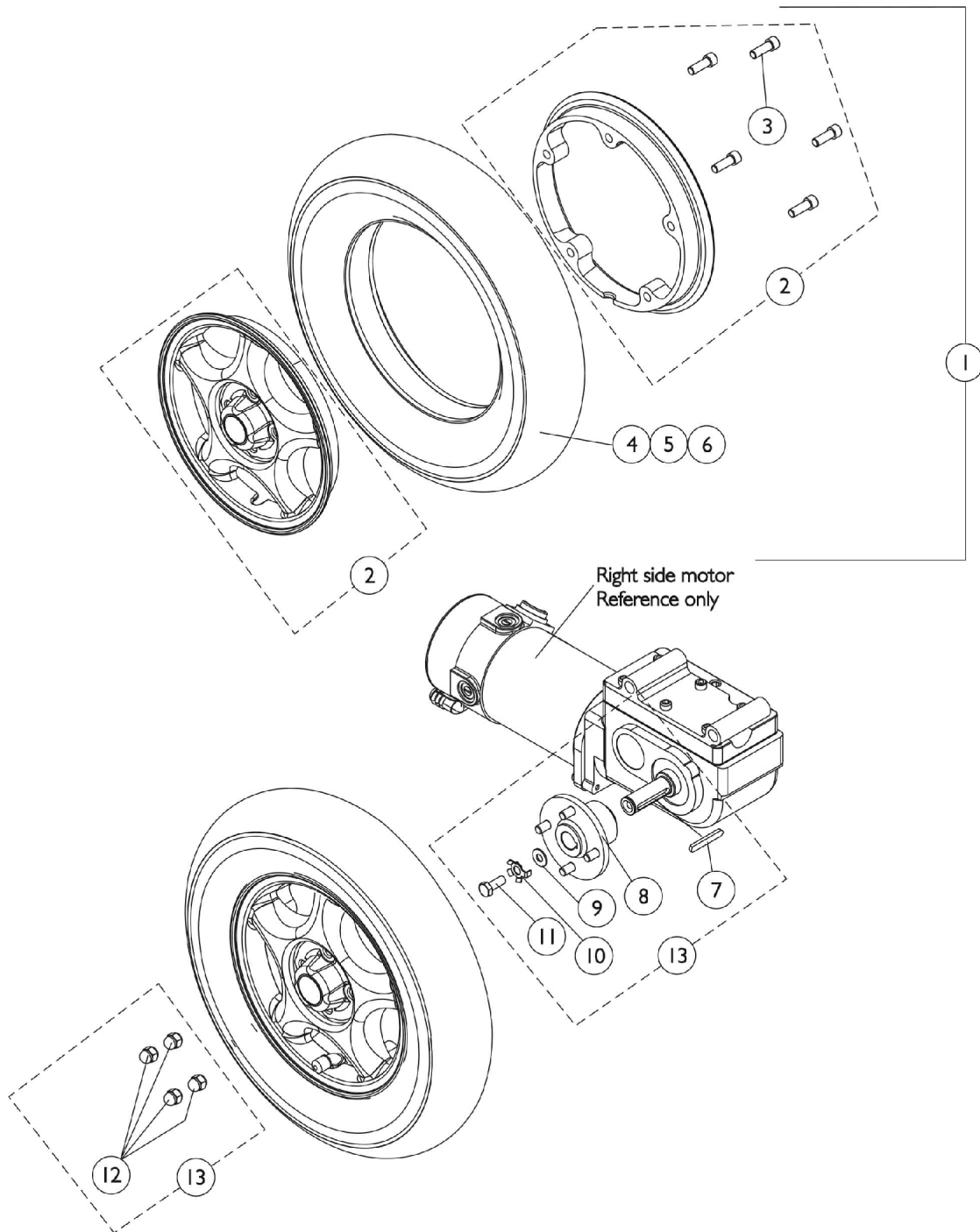


# Drive Wheels and Mounting Hardware (14" x 3")

For TDX3, TDX SE and TDX4 with 4-Pole Motors

NOTE: (Upgrade on TDX3 Before 10/9/06), standard on (TDX 3 After 10/8/06) and TDX4, (Upgrade on TDX3 SE introduced 11/15/06)



# Drive Wheels and Mounting Hardware (14" x 3")

## For TDX3, TDX SE and TDX4 with 4-Pole Motors

NOTE: (Upgrade on TDX3 Before 10/9/06), standard on (TDX 3 After 10/8/06) and TDX4, (Upgrade on TDX3 SE introduced 11/15/06)

Item Number	Note	Part Number	Description	Quantity Per	
				Package	Assembly
1		1104438	Drive Wheel Assembly, Pneumatic, Grey Tire/Silver Rim (14 x 3")	1	1
1	B	1104437	Drive Wheel Assembly, Flat Free, Grey Tire/Silver Rim (14 x 3")	1	1
1	C	1141343	Drive Wheel Assembly, Flat Free, Grey Tire/Silver Rim (14 x 3")	1	1
2	D	1104882-NLA	NLA - Kit, 8" Rim w/ Hardware (14 x 3" Wheel)	1	1
4		1039652	Tire, Pneumatic, Grey (14" x 3")	1	1
5	B	1101754	Tire w/ Foam Fill Insert, Grey (14" x 3")	1	1
5	C	1141342	Tire w/ Foam Fill Insert, Grey (14" x 3")	1	1
6		1039651	Tube, Inner, Black (14 x 3")	1	1
7		1023264	Key (6mm x 6mm x 40mm)	1	1
8		1110639	Hub, Wheel	1	1
9		1079247	Washer, Flat (21/64 x 53/64 x 7/64")	1	1
10		1064179	Kit, Locking Tab Washer w/ Instruction Sheet (Pair)	2	1
11		1023260	Screw (M8 x 1.25 x 20mm)	1	1
12		1100580	Nut, Beveled Hex (5/16-24)	1	4
13	A	1115352	Kit, Drive Wheel Mounting Hardware (14" x 3")	1	1

NOTE: A - Includes items 7-12  
 B - Before 12/19/05. Contains a black colored high density flat free foam material  
 C - After 12/18/05. Contains a green colored low density flat free foam material that provides a softer ride. A customers chair must contain a matched color set of foam filled inserts.  
 D - Sold complete. Includes the Rims and (5) ea. Socket Head Screws w/ Patch (5/16-18 x 7/8").