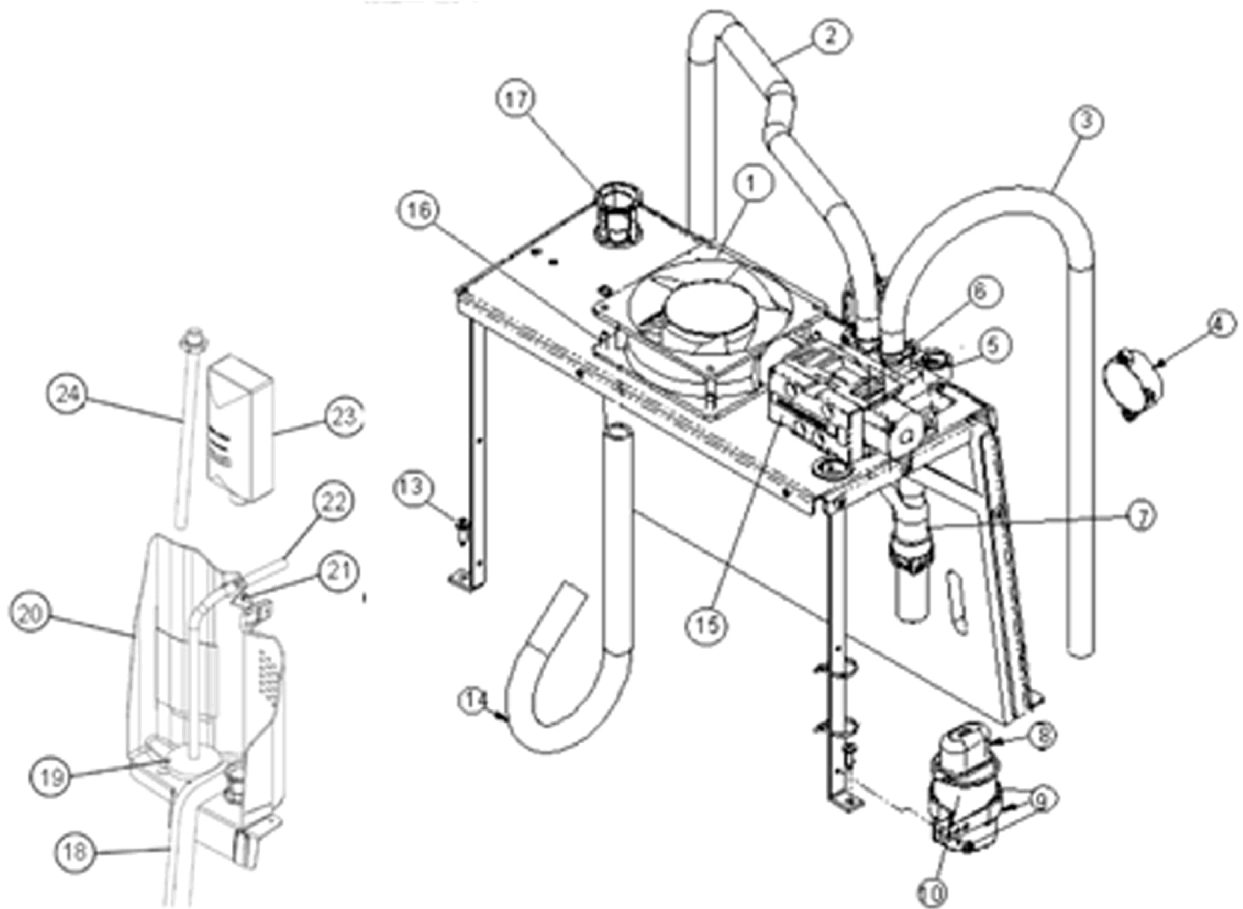


Sound Box and Manifold

IRC5LXAW and IRC5LXO2AW



Sound Box and Manifold IRC5LXAW and IRC5LXO2AW

Item Number	Note	Part Number	Description	Quantity Per	
				Package	Assembly
1		See Note	See Footnote	1	1
2		1108783	Tubing, Braided (1/2 x 23")	1	1
3		1108784	Tubing, Braided (1/2 x 20-1/4")	1	1
4		2001765	Harness, Horn/Alarm	1	1
5	A,B	1108085	Manifold/Valve Assembly	1	1
6		2001682	Tie Wrap (8" L)	1	5
7		1110775	Muffler/Y-Tube Assembly	1	1
8		P0875X560-NLA	NLA - Boot, Terminal	1	1
9		2003019-NLA	Kit, Capacitor 15 MFD	1	1
			NLA - Tech Only - Capacitor, 15 MFD	1	1
			Clamp, Cap	1	1
			Screw, Phillips Pan Head (8-32 x 1/2")	1	1
			Washer, Flat (#8)	1	1
			NLA - Nut, Keps (#6-32)	1	1
			NLA - Boot, Terminal	1	1
			Tie Wrap (3-29/32" L)	1	1
			NLA - Screw, Phillips Hex Washer Head (#8-32 x 3/8")	1	1
			Tie Wrap (8" L)	1	2
10		1068698-NLA	NLA - Tech Only - Capacitor, 15 MFD	1	1
11	C	P0876X026	Clamp, Hose	1	2
12	C,E	1121074-NLA	NLA - Elbow, PVC Formed (1/2 x 2-1/2 x 6")	1	1
12	C,F	1108822	Elbow, PVC Formed (1/2 x 2-1/2 x 2-1/2")	1	1
13		1108810	Screw, Hi-Lo Six Lobe Drive (#10-16 x 5/8")	1	7
14		1119562-NLA	NLA - Tech Only - Tube, Compressor Inlet Assembly	1	1
15		1101141	Kit, 4-Way Valve w/ Screws	1	1
	C	1101141R	Valve, Reconditioned	1	1
	C	1101141E-NLA	Kit, Valve - Warranty Replacement	1	1
			Valve, Reconditioned	1	1
			Gasket	1	1
			Screw, Socket Head (M5 x .8 x 2mm)	1	4
16		1110852	Screw, Slotted Hex Washer Head (#10-24 x 1/2")	1	4
17		1106675	Coupling, Inlet Filter	1	1
18		2000812	Seal, Foam	1	2
19	G	P0750X030	Filter, Patient HEPA Outlet	1	1
20		1115183	Partition Assembly	1	1
21		2003065-NLA	NLA - Screw, Phillips Hex Washer Head (#8-32 x 3/8")	1	1
21		1128404	Screw, Phillips Hex Washer Head (#8-32 x 3/8")	1	1
22		1108815-NLA	NLA - Tubing, Silicon (1/4 x 16-1/4")	1	1
23	D	1108078-NLA	NLA - Filter, Inlet	1	1
23		1131249	Filter, Inlet Sound Reduced	1	1
24		1110768-NLA	NLA - Tech Only - Adaptor, Humidifier Bottle	1	1
24		2000799	Adapter with Tubing for Humidifier Bottle	1	1

Sound Box and Manifold IRC5LXAW and IRC5LXO2AW

NOTE: A - Manifold is not available as an item. Must order item 5, Manifold/Valve Assembly.
B - Includes items 2, 3, 6-8, 12 and 16.
C - Not Shown.
D - Item no longer available, refer to Part #1131249.
E - For use with Old Style Heat Exchanger only, Before 7/19/05.
F - For use with New Style Heat Exchanger only, After 7/18/05.
G - After 7/19/06 the Hepa Filter was moved to the inside of cabinet, located between the Flow Meter and the Patient Outlet Barb. See "Rear Control Panel" category to view reflective changes.