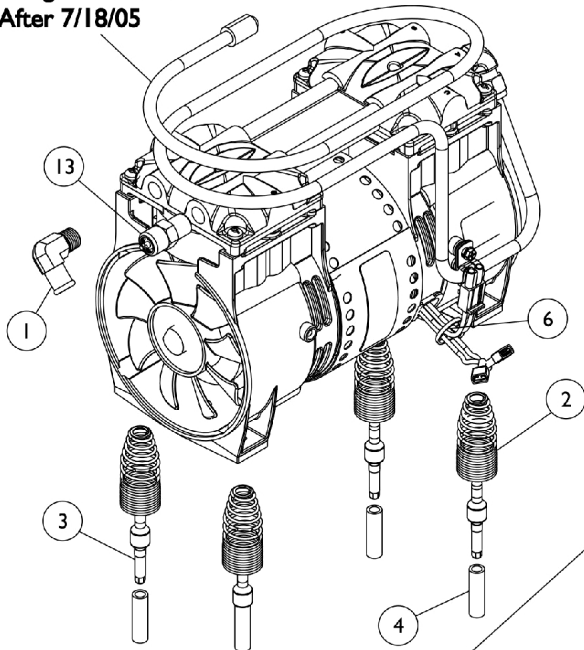


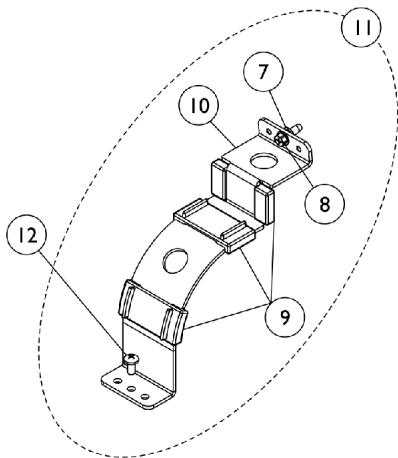
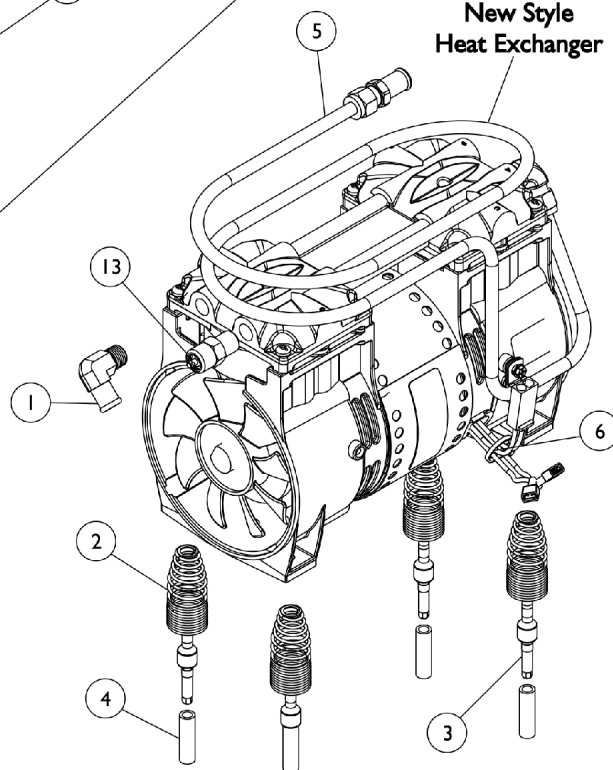
# Compressor

## IRC5LXAW and IRC5LXO2AW

Old style  
Heat Exchanger  
"No Longer Available"  
After 7/18/05



New Style  
Heat Exchanger



# Compressor

## IRC5LXAW and IRC5LXO2AW

Item Number	Note	Part Number	Description	Quantity Per	
				Package	Assembly
1		1108819	Fitting, Elbow (1/2" Beaded Hose x 1/4" NPT)	1	1
2		1105504-NLA	NLA - Spring, Compressor Mount	1	4
2		1150581	Spring, Compressor Mount	1	4
3		1106446-NLA	NLA - Pin, Spring Retainer	1	4
3		1150580	Pin, Spring Retainer	1	4
4		1107411	Glide, Pin	1	4
5	E	1119590	Heat Exchanger Assembly	1	1
6		1070050	Tie Wrap (3-29/32" L)	1	1
7		1108740	Retainer, Push (1/4")	1	1
8	D	1085696-NLA	NLA - Screw, Phillips Truss Head (1/4-20 x 1/2")	1	1
8		1128406-NLA	NLA - Screw, Phillips Hex Washer Head w/ Patch (1/4-20 x 3/4")	1	1
9		1108824	Bumper, Bracket	1	3
10		1107406-NLA	NLA - Bracket, Restraint (Thomas)	1	1
11	B	1108092	Kit, Compressor Restraint Bracket (Thomas)	1	1
12		1085696	NLA - Screw, Phillips Truss Head (1/4-20 x 1/2")	1	1
13		1085697	Relief Valve w/ Patch Lock, 35 PSIG	1	1
		1121273-NLA	NLA - Fitting, Elbow (5/16 Tube x 1/4" NPT)	1	1
	A,C	1110825-NLA	NLA - Compressor with Mounting Hardware	1	1
	F,G	1154510	Kit, Compressor Rebuild w/ Trigon Seals & Instruction Sheet - IRC5LX/IRC5LXO2 (Thomas)	1	1
			Compressor Rebuild Kit w/ Trigon Seals - IRC5LX/IRC5LXO2 (Thomas)	1	1
			Instruction Sheet, Thomas Rebuild 2660-2650	1	1
		1157138	Kit, Compressor Complete Assembly - Thomas	1	1
			Compressor with Mounting Hardware - Thomas	1	1
			WARR RPLMT - Compressor Assembly - Thomas (5LX Plat.)	1	1
			Kit, Compressor Restraint Bracket (Thomas)	1	1
			NLA - Capacitor, 15 MFD	1	1
			Tie Wrap (8" L)	2	1

NOTE: A - Includes Compressor and items 1-5.  
 B - Includes items 7-10.  
 C - To be used with IRC5LXAW and IRC5LXO2AW.  
 D - Item no longer available, refer to Part #1128406 for replacement.  
 E - When replacing the Heat Exchanger you must also replace the PVC Elbow, see category titled "Sound Box Assembly" item #12 due to style change.  
 F - When replacing or servicing a compressor, the capacitor and (2) tie wraps must also be replaced, reference part #1068698 and #2001682.  
 G - Not Shown. Kit includes Retainer Plates and Trigon Seals to enable rebuilding of both Trigon and pre-Trigon configurations.