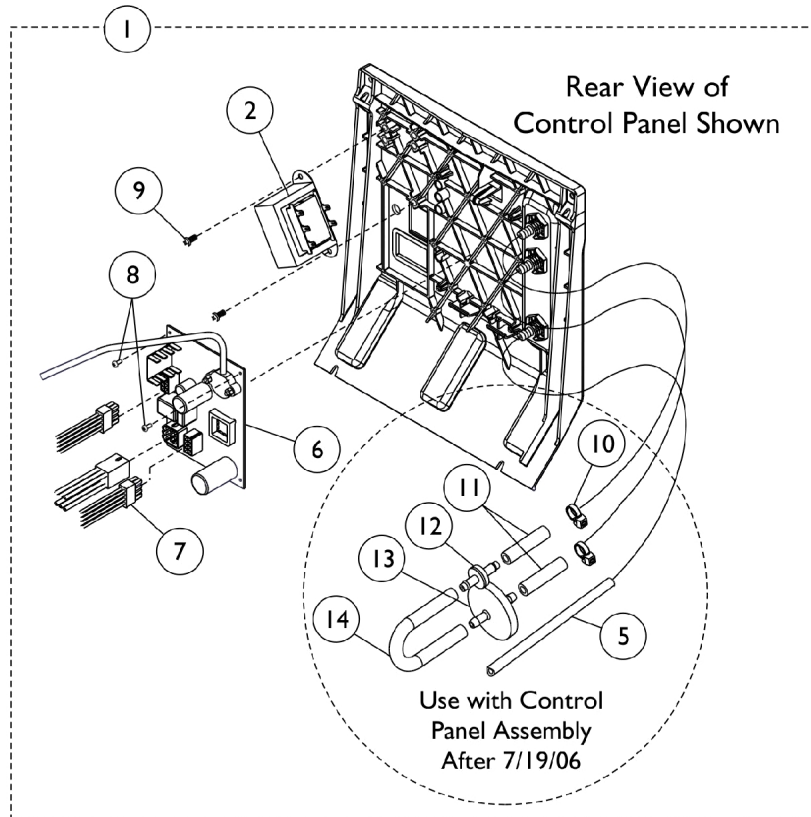
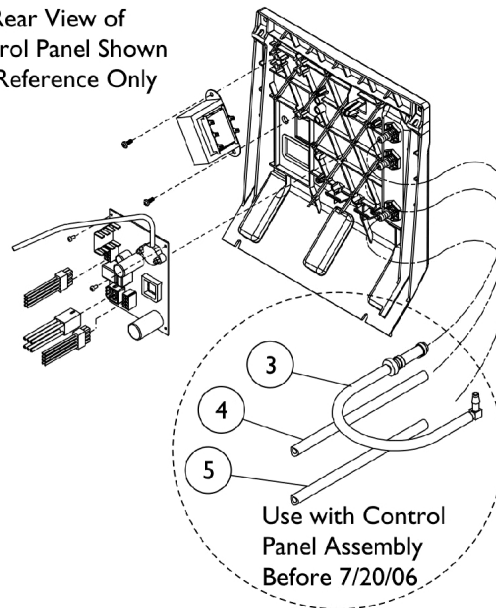


Control Panel - Rear View

IRC5LXAW and IRC5LXO2AW



Rear View of Control Panel Shown for Reference Only



Control Panel - Rear View IRC5LXAW and IRC5LXO2AW

Item Number	Note	Part Number	Description	Quantity Per	
				Package	Assembly
1	B,C,D	1121282	Control Panel Assembly	1	1
1	B,C,E	1121279-NLA	NLA - Tech Only - Control Panel Assembly	1	1
2	J	1105385-NLA	NLA - Tech Only - Transformer	1	1
	K	1105391-NLA	NLA - Transformer Kit	1	1
3	A,I	1110779-NLA	NLA - Tubing Assembly, Check Valve Discharge	1	1
4	I	1108815-NLA	NLA - Tubing, Silicon (1/4 x 16-1/4")	1	1
5		1108809	Tubing, PVC (1/4 x 12-3/4")	1	1
6	B,D	1108720-NLA	NLA - LXN PCB Assembly	1	1
6	B,D	1108720E-NLA	NLA - WARR RPLMT - LXN PCB Assembly	1	1
6	B,E	1108731-NLA	NLA - ISBN PCB Assembly	1	1
6	B,E	1108731E-NLA	NLA - WARR RPLMT - ISBN PCB Assembly	1	1
6	B,F	1129785-NLA	NLA - ISBN Board Assembly	1	1
7		1121280-NLA	NLA - Tech Only - Harness, Wire, 10 Pin NEC	1	1
8		2001902-NLA	NLA - Screw, Phillips Pan Head (#4-40 x 1/4")	2	1
9		1102696	Screw, Phillips Pan Head SEMS (#8-32 x 3/8")	1	2
10	G,H	2001682	Tie Wrap (8" L)	1	2
11	G,H	1110473	Tubing, PVC (1/4 x 1-3/4")	1	2
12	G,H	2000436	Check Valve, Barb (5/16")	1	1
13	G,H	P0750X030	Filter, Patient HEPA Outlet	1	1
14	G,H	1143144	Tubing, PVC (1/4 x 5")	1	1

NOTE: A - Includes Tubing (2 ea.) Check Valve, Elbow and Tie Wrap.
B - Dependent on model.
C - Control Panel Assembly includes items 1-9 on the Front View and items 2, 6-14 on the Rear View.
D - To be used on model IRC5LXAW. Part #1108720 is NLA. See part #1108720E as a replacement.
E - To be used on Model IRC5LXO2AW.
F - To be used on Model IRC5LXO2HA.
G - "After 7/19/06" the location of the HEPA Filter has changed. The HEPA Filter is now located inside the cabinet.
H - For use with Control Panel Assembly "After 7/19/06."
I - For use with Control Panel Assembly "Before 7/20/06."
J - Individual item no longer available, refer to Transformer Kit Part #1105391 for replacement.
K - Kit includes Transformer, Nuts and Insulator.