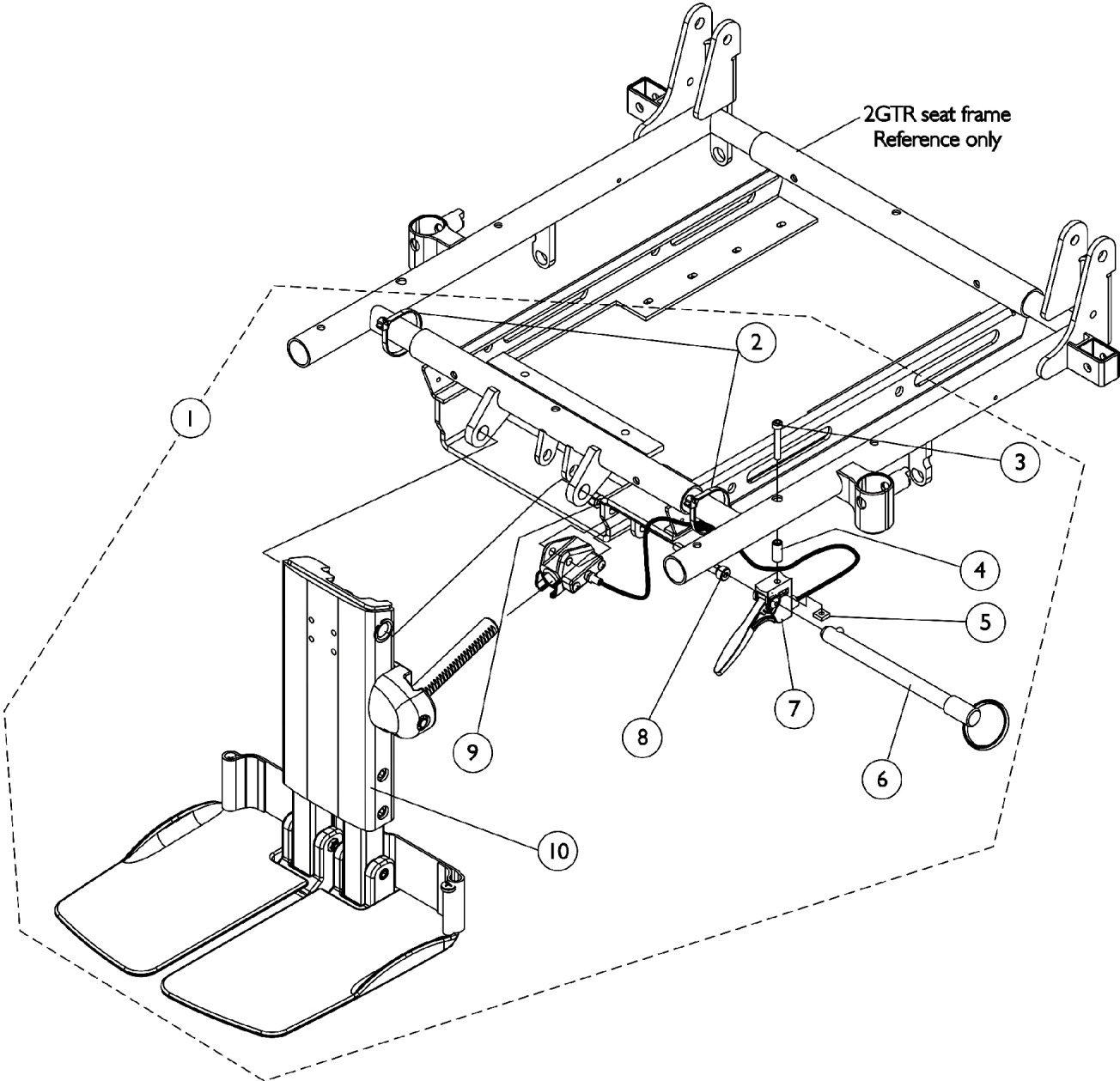


Center Mount Rigging KIT (CTMT-T/CTMT-TL)



Center Mount Rigging KIT (CTMT-T/CTMT-TL)

Item Number	Note	Part Number	Description	Quantity Per	
				Package	Assembly
1	A	1121011-NLA	NLA - Kit, Adjustable Length Center Mount Rigging 2GTR Short (12-1/4" - 16-1/2")	1	1
1	B	1121012-NLA	NLA - Kit, Adjustable Length Center Mount Rigging 2GTR Long (17-1/4" - 21-3/4")	1	1
2		1095502-NLA	NLA - Package, Tie Wrap (11-1/2" L)	10	2
3		1028513-NLA	NLA - Screw, Socket Head (#10-32 x 1-1/4")	1	1
4		1113236-NLA	NLA - Spacer (3/16 x 5/16 x 3/4")	1	1
5		1086207	Nut, Square (#10-32)	1	1
6		1113375-NLA	NLA - Pin, Quick Release (5" Long)	1	1
7		1121079	Cable/Brake Assembly w/ Ratchet Housing and Glide Bearing	1	1
8		1071736	Screw, Shoulder Hex Socket Head (5/16" x 1-5/8", 1/4-20)	1	1
9		1025736	Locknut (1/4-20)	1	1
10		1117260-NLA	NLA - Center Mount Rigging, 2GTR (12-1/4 - 16-1/2" Range)	1	1
10		1117261-NLA	NLA - Center Mount Rigging, 2GTR (17-1/4 - 21-3/4" Range)	1	1
	C	1118368	Instruction Sheet, Center Mount Rigging Kit	1	1
NOTE: A - Compatible with 16"-17" and 20"-21" seat depths B - Compatible with 18"-19" and 22" seat depths C - Instruction Sheet is Not Shown.					