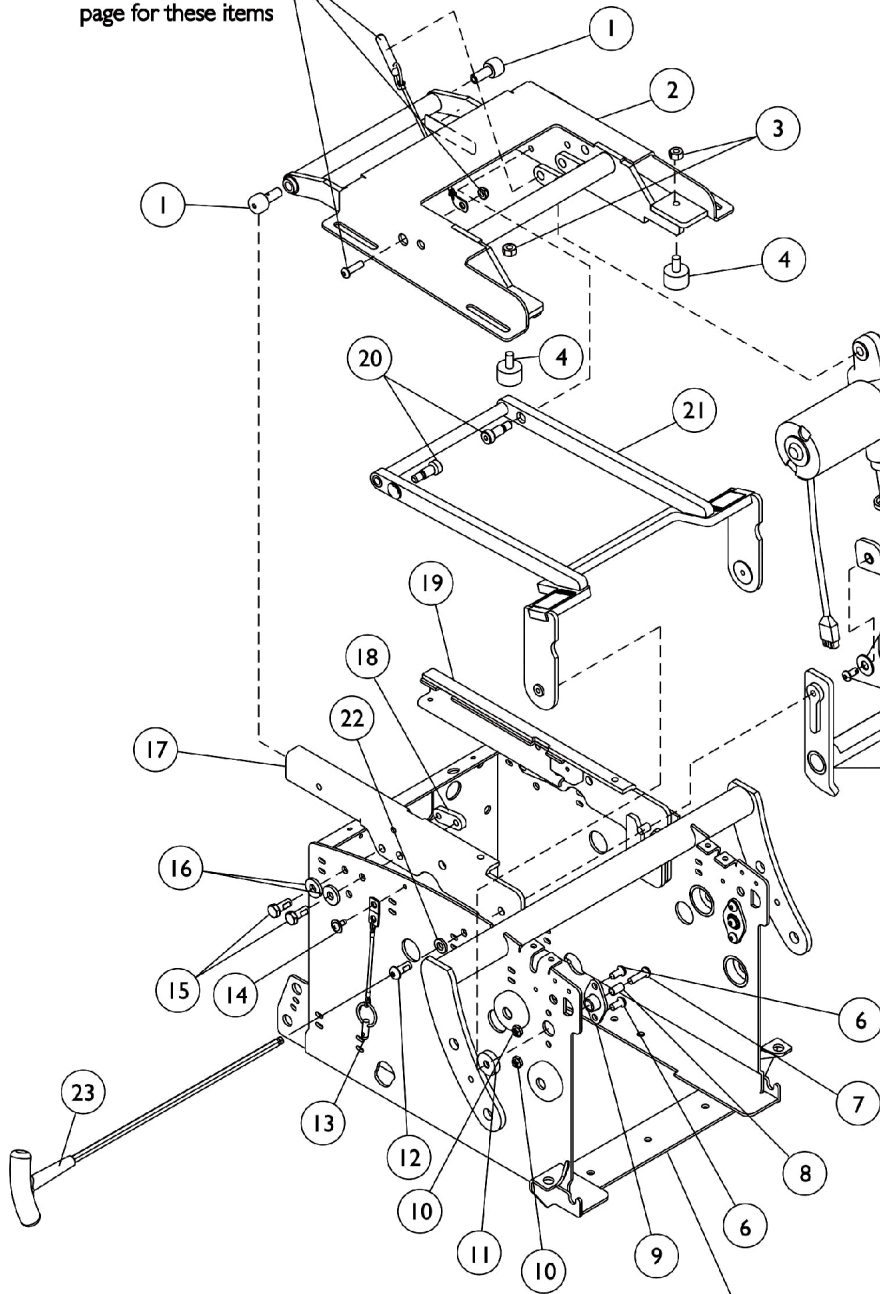


# Tilt Assembly and Mounting Hardware

See Tilt Actuator and Mounting Hardware page for these items



See Tilt Actuator and Mounting Hardware page for these items

Battery Box  
Reference Only

## Tilt Assembly and Mounting Hardware

Item Number	Note	Part Number	Description	Quantity Per	
				Package	Assembly
1		1120175	Roller, Cam	1	2
2		1120214-NLA	NLA - Roller, Cam, Seat Support	1	1
3		1018248-NLA	NLA - Nut (5/16-18)	1	2
4		1108437-NLA	NLA - Bumper, Rubber (1" Diameter x 5/8")	1	2
5		1120184-NLA	NLA - Mounting, Lower Pivot	1	1
6		1100023	Screw, Button Head w/ Patch (1/4-20 x 1/2")	1	4
7		1028410-NLA	NLA - Screw, Socket Button Head (1/4-20 x 7/8")	1	2
8		1120196-NLA	NLA - Sleeve, Pivot Joint, Front	1	2
9		1120169-NLA	NLA - Bearing, Flange	1	2
10		1025195	Locknut (1/4-20)	1	5
11		1120195-NLA	NLA - Spacer, Front Pivot Joint, Black	1	5
12		1071955	Screw, Socket Button Head (5/16-18 x 3/4")	1	2
13	A	1068039	Pin, Pull	1	1
14		1114308	Screw, Phillips Pan Head Tap (#10-32 x 1/2")	1	1
15		1039860	Screw, Hex Head w/ Patch (5/16-18 x 3/4")	1	4
16		1079247	Washer, Flat (21/64 x 53/64 x 7/64")	1	4
17		1120229-NLA	NLA - Rail, Side - Right	1	1
18		1113341-NLA	NLA - Nut, Strap	1	2
19		1120230-NLA	NLA - Rail, Side - Left	1	1
20		1120224-NLA	NLA - Screw, Shoulder Hex Socket Head (3/8" x 5/8", 5/16-18)	1	2
21		1120194-NLA	NLA - Link, Front	1	1
22		1072692-NLA	NLA - Lockwasher, Split (5/16")	1	2
23	B	1124299-NLA	NLA - Key, Ball Point T-Handle (3/16" Hex)	1	1

NOTE: A - Pull Pin no longer used as of 11/12/04, see page titled "Prop Rod Assembly"  
 B - The T-Handle Hex Key is used to remove item 12 (Socket Button Head Cap Screw). Item 5 (Lower Pivot Mounting) can then be raised up to provide clearance to remove the batteries.