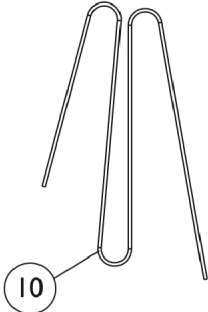
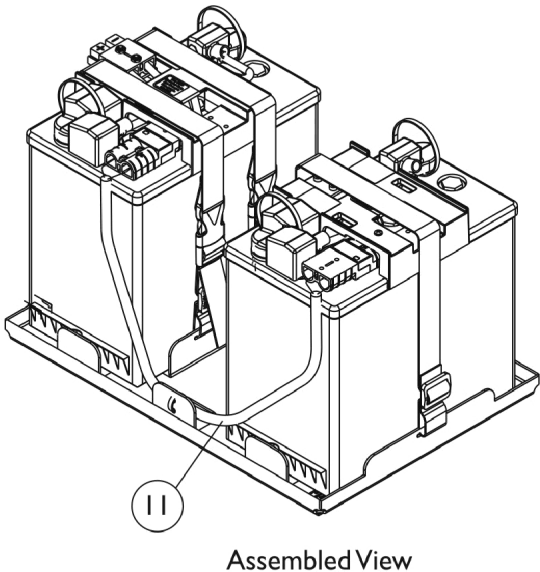
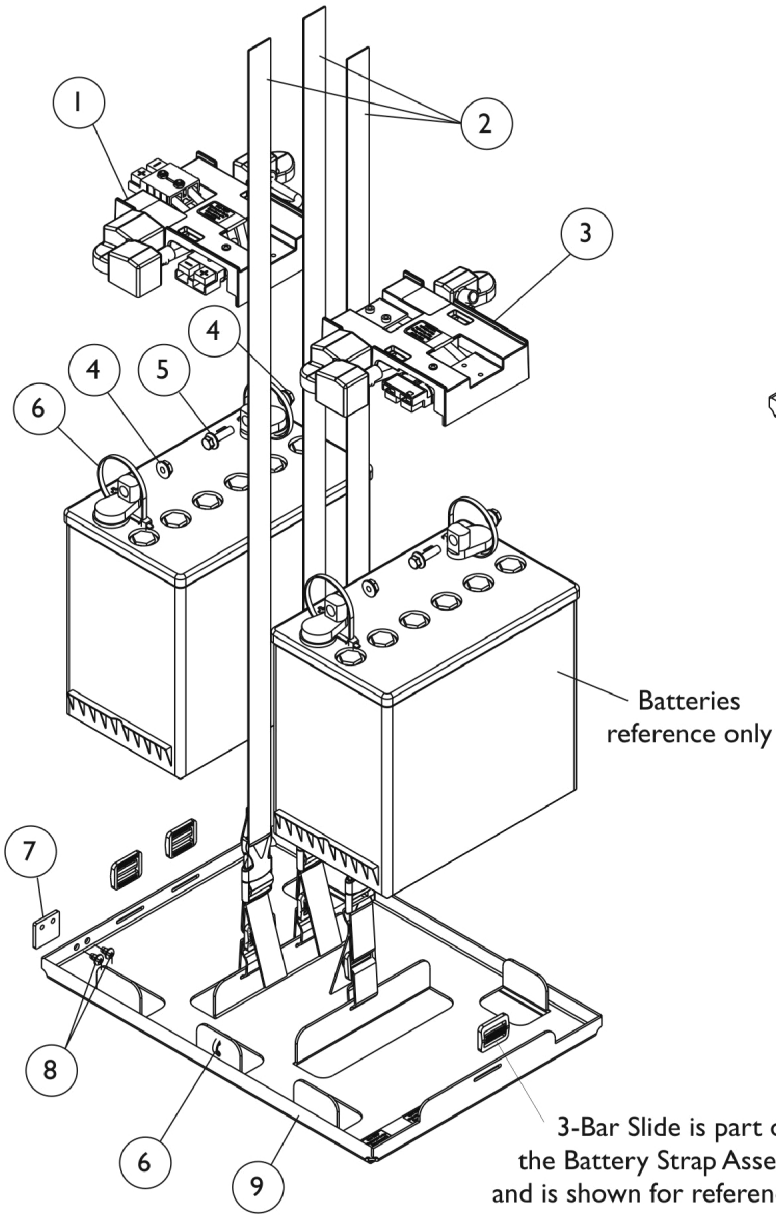


# Battery Tray Assembly and Wire Harnesses

## 22NF Batteries



## Battery Tray Assembly and Wire Harnesses 22NF Batteries

Item Number	Note	Part Number	Description	Quantity Per	
				Package	Assembly
1	A,B	1120263-NLA	NLA - Harness, Battery Wire with Terminal Hardware, 22NF, Rear	1	1
2		1121124-NLA	NLA - Battery Strap Assembly, 22NF and GP24	1	3
3	A,B	1120264-NLA	NLA - Harness, Battery Wire w/ Terminal Hardware, 22NF, Front	1	1
4		16721X000	Locknut (1/4-20)	1	4
5		1096799-NLA	NLA - Screw, Hex Flange Whiz Lock (1/4-20 x 7/8")	1	2
6		98007X005	Tie Wrap (11-1/2" L)	1	6
7		1117186-NLA	NLA - Bracket, Battery Tray Stop, Black	1	1
8		90017X000-NLA	NLA - Screw, Phillips Pan Head (#10-32 x 5/16")	1	2
9	C	1120265-NLA	NLA - Battery Tray Assembly, 22NF	1	1
10		50000X121	Strap, Battery Lift	1	1
11		1120237-NLA	NLA - Harness, Battery Extension	1	1

NOTE: A - Individual components are not available for the battery wire harnesses  
B - Includes items 4-6  
C - Includes items 2 and 6-8