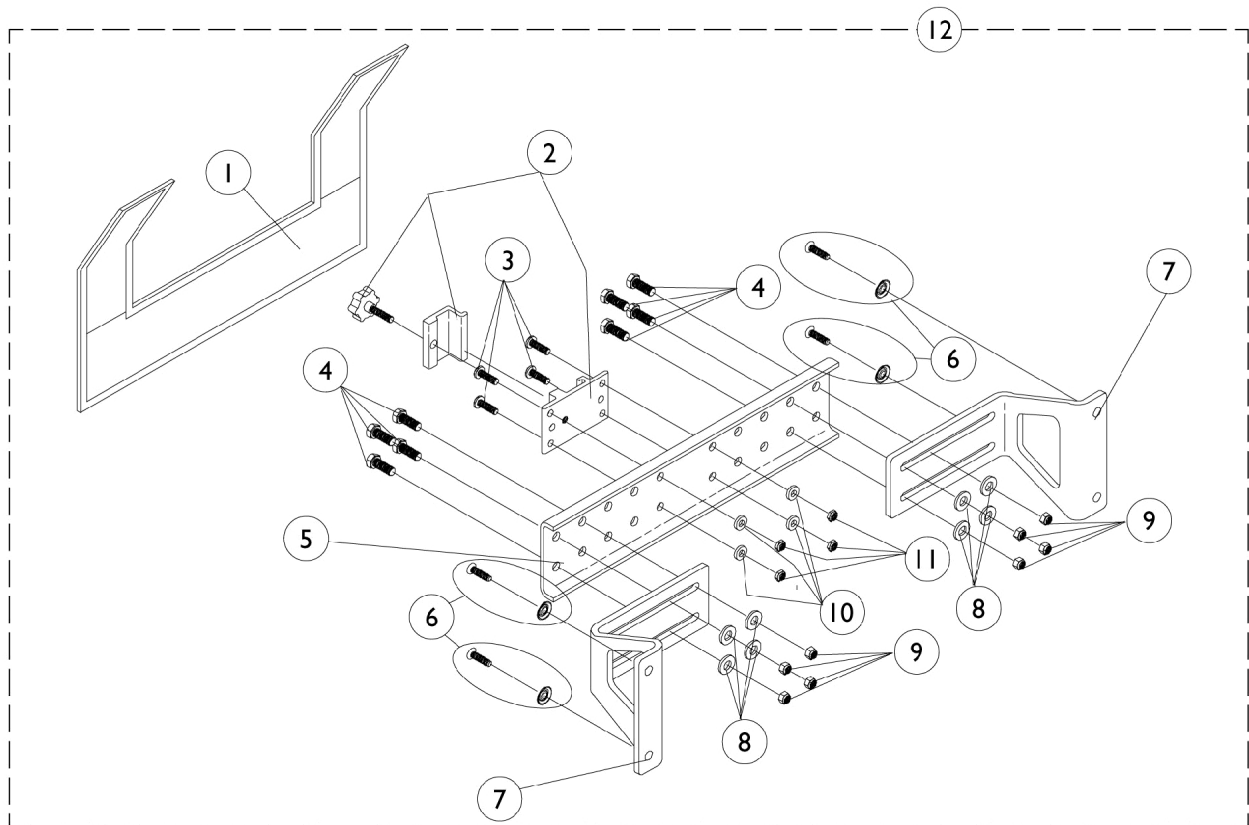


R.I.M. Head Control Mounting Hardware (1500)



R.I.M. Head Control Mounting Hardware (1500)

Item Number	Note	Part Number	Description	Quantity Per	
				Package	Assembly
1	B	1055149	Cover, Nylon	1	1
1	C	1055151-NLA	NLA - Cover, Nylon	1	1
2		1055148-NLA	NLA - Clamp with Knob, Two-Piece	1	1
3		1003645	Screw, Socket Button Head (#10-32 x 3/4")	1	4
4		7930326-NLA	NLA - Package, Screw, Hex Head (1/4-20 x 3/4")	25	8
5	B	1054931-NLA	NLA - Bracket, Attaching, Black (12 - 18" W)	1	1
5	C	1054933-NLA	NLA - Bracket, Attaching, Black (19 - 24" W)	1	1
6		1031095	Screws with Washers (#10-16 x 7/8")	4	1
6		1076284	Screw w/ Washer (#10 x 7/8")	1	4
7		1054929-NLA	NLA - Bracket, Wing, Black	1	2
8		1026907	Washer (1/4 x 1/2 x 1/16")	1	8
9		7930333	Locknut (1/4-20)	25	8
10		1026034-NLA	NLA - Washer, Nylon (3/16 x 7/16 x 1/8")	1	4
11		7930332-NLA	NLA - Locknut, High Profile (#10-32)	25	4
12	B,A	1056347	Hardware, Rim Control Mounting (RIMHW) (12-18" W)	1	1
12	C,A	1056348	Hardware, Rim Control Mounting (RIMHW) (19-24" W)	1	1

NOTE: A - Includes items 1-11
B - For 12-18" wide chairs
C - For 19-24" wide chairs