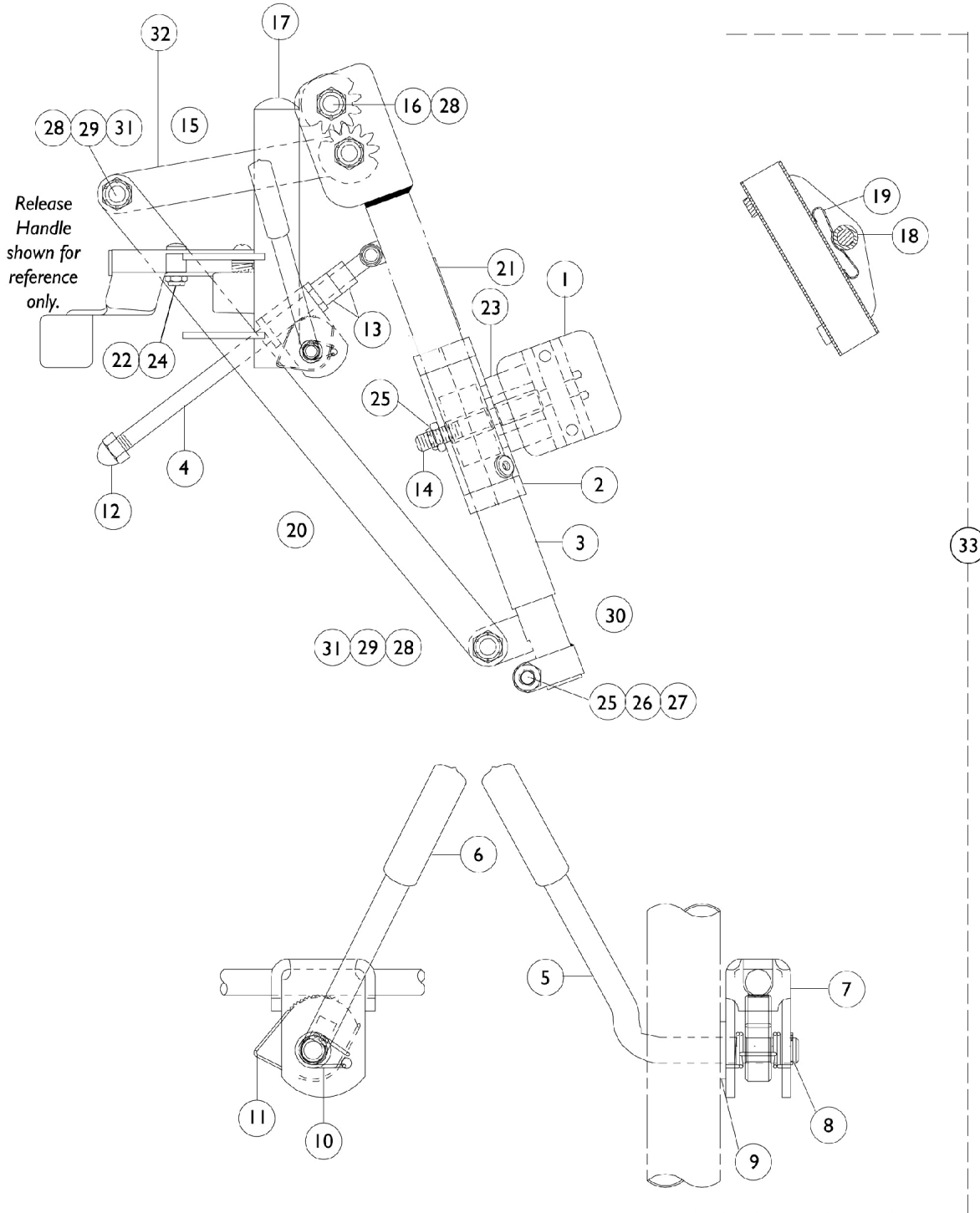


Articulating Legrest Support AHL4A / AHL4C

NOTE: If your chair was built with a serial # starting with "03H" or "03I", please contact an Invacare Parts Specialist for replacement parts at 1-800-333-6900 Ext. 3722.



Articulating Legrest Support

AHL4A / AHL4C

NOTE: If your chair was built with a serial # starting with "03H" or "03I", please contact an Invacare Parts Specialist for replacement parts at 1-800-333-6900 Ext. 3722.

Item Number	Note	Part Number	Description	Quantity Per	
				Package	Assembly
1		04526X019	Plate, Legrest Pad	1	1
2		1025104	Bracket, Legrest, Chrome	1	1
3		1022877-NLA	NLA - Tube, Support and Drive Link, Chrome - Right	1	1
3		1022878-NLA	NLA - Tube, Support and Drive Link, Chrome - Left	1	1
4		42326X004	Bar, Ratchet - Right/Left	1	1
5		1037126	Handle, Release	1	1
6		1040060	Tip, Plastic, Black	1	1
7		04528X002	Bracket, Release, Black	1	1
8		1040831	Ring, Snap	1	1
9		7930310-NLA	NLA - Washer, Nylon (5/16 x 11/16 x 1/16")	25	1
10		1037485	Spring, Release	1	2
11		1037125	Cam, Legrest	1	1
12		7930336-NLA	NLA - Nut, Acorn (5/16-24)	25	1
13		47330X003	Spacer (5/16 x 1/2 x 3/8")	1	1
14		1014807	Screw, Hex Head (5/16-24 x 3-1/4")	1	1
15		1023092-NLA	NLA - Legrest Support Tube Assembly, Hemi, Chrome - Right	1	1
15		1023093-NLA	NLA - Legrest Support Tube Assembly, Hemi, Chrome - Left	1	1
16		1022854-NLA	NLA - Screw, Shoulder Slotted Head (1/2 x 1-1/8", 3/8-16)	1	1
17		1027097	Plug Button, Black (3/4")	1	1
18		47328X003	Bushing, Pivot (5/16 x 7/16 x 7/8")	1	1
19		48823X008	Spring, Leaf	1	1
20		1022846-NLA	NLA - Bar, Link, Black	1	1
21		1024911-NLA	NLA - Decal, Smartleg	1	1
22		1030979	Screw, Phillips Pan Head Tap (#10-32 x 3/4")	1	1
23		1091220	Spacer, Legrest	1	1
24		1022874	Bumper	1	1
25		7930363-NLA	NLA - Package, Locknut (5/16"-24)	25	2
26		11232X009	Bolt, Lug (5/16-24 x 1-3/8")	1	1
27		1027377	Washer (#20)	1	1
28		40363X000	Hex Nut (3/8"-16)	1	3
29		1022866-NLA	NLA - Screw, Socket Button Head (3/8-16 x 3/4")	1	2
30		1022848	Tube, Slide, Articulating, Chrome - Right	1	1
30		1022849	Tube, Slide, Articulating, Chrome - Left	1	1
31		1049527	Washer, Nylon (3/8 x 3/4 x 1/16")	1	2
32		1022864	Drive, Link, Black	1	1
33	A	1041799	Legrest Support Assembly, Articulating, Hemi, Chrome - Right	1	1
33	A	1041800	Legrest Support Assembly, Articulating, Hemi, Chrome - Left	1	1
	B,C	1046329	Kit, Elevating Legrest Ratchet Hardware (Pair)	2	1

Articulating Legrest Support

AHL4A / AHL4C

NOTE: If your chair was built with a serial # starting with "03H" or "03I", please contact an Invacare Parts Specialist for replacement parts at 1-800-333-6900 Ext. 3722.

NOTE:	A - Includes Items 1-32.
	B - Includes Items 4-13.
	C - Not Shown.