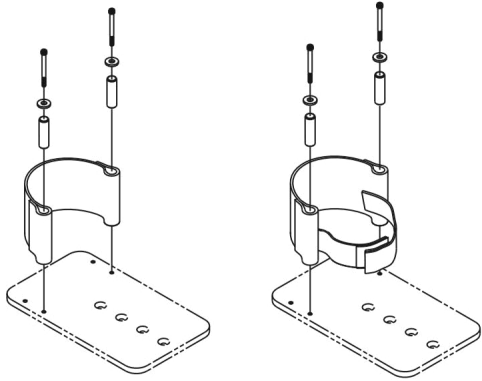
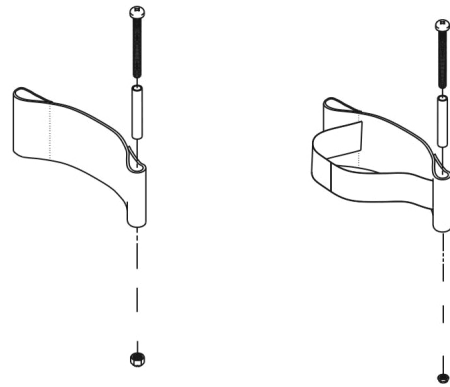


Footrest and Legrest Accessories



For AT5543 Footplates



For I650 Footplates

Footrest and Legrest Accessories

Heel Loops and Hardware For 1650 Standard Aluminum Footplates

Chair Width	Heel Loop Single #	Heel Loop Pair #	Attaching Hardware Pair #
12"-13" W	1028412-NLA	1035912-NLA	1035907
14"-15" W	1025234-NLA	1035905	1035907
16" W	1017621	1035917-NLA	1035907

Heel Loops w/ Ankle Straps and Hardware For 1650 Standard Aluminum Footplates

Chair Width	Heel Loop w/ Ankle Strap Single # Rt.	Heel Loop w/ Ankle Strap Single # Lt.	Heel Loop w/ Ankle Strap Pair #	Attaching Hardware Pair #
12"-14" W See Note(s) A	1035908-NLA	1035909-NLA	1035906	1035907
15"-16" W See Note(s) A	1035919	1035920	1035918	1035907
14"-15" W See Note(s) B	1035908-NLA	1035909-NLA	1035906	1035907
16" W See Note(s) B	1035919	1035920	1035918	1035907

NOTE: A - For PHW93 and PH93M2 footrest only
B - For PHAL4A articulating legrest only

Attaching Hardware Part Number For 1650 Standard Aluminum Footplates

Part Number	Part Number Consists of
1035907	2 each Screw, PPH (1/4-20 x 2-1/4") 2 each Spacer (1/4 x 11/32 x 1-3/4") 2 each Locknut (1/4-20)

Footrest and Legrest Accessories

Heel Loops and Heel Loops w/ Ankle Straps For AT5543 Adj. Angle Footplates

Part Number	Part Number Consists of
1160723 Kit, Heel Loop w/ Hardware, Adjustable Angle Footplate (Pair)	(2) Heel Loops (4) Screw, PPH (1/4-20 x 2-1/4") (4) Spacer (4) Locknut (1/4-20)
1160724 Kit, Heel Loop w/ Ankle Strap and Hardware, Adjustable Angle Footplate (Pair)	(2) Heel Loops w/ Ankle Straps (4) Screw, PPH (1/4-20 x 2-1/4") (4) Spacer (4) Locknut (1/4-20)