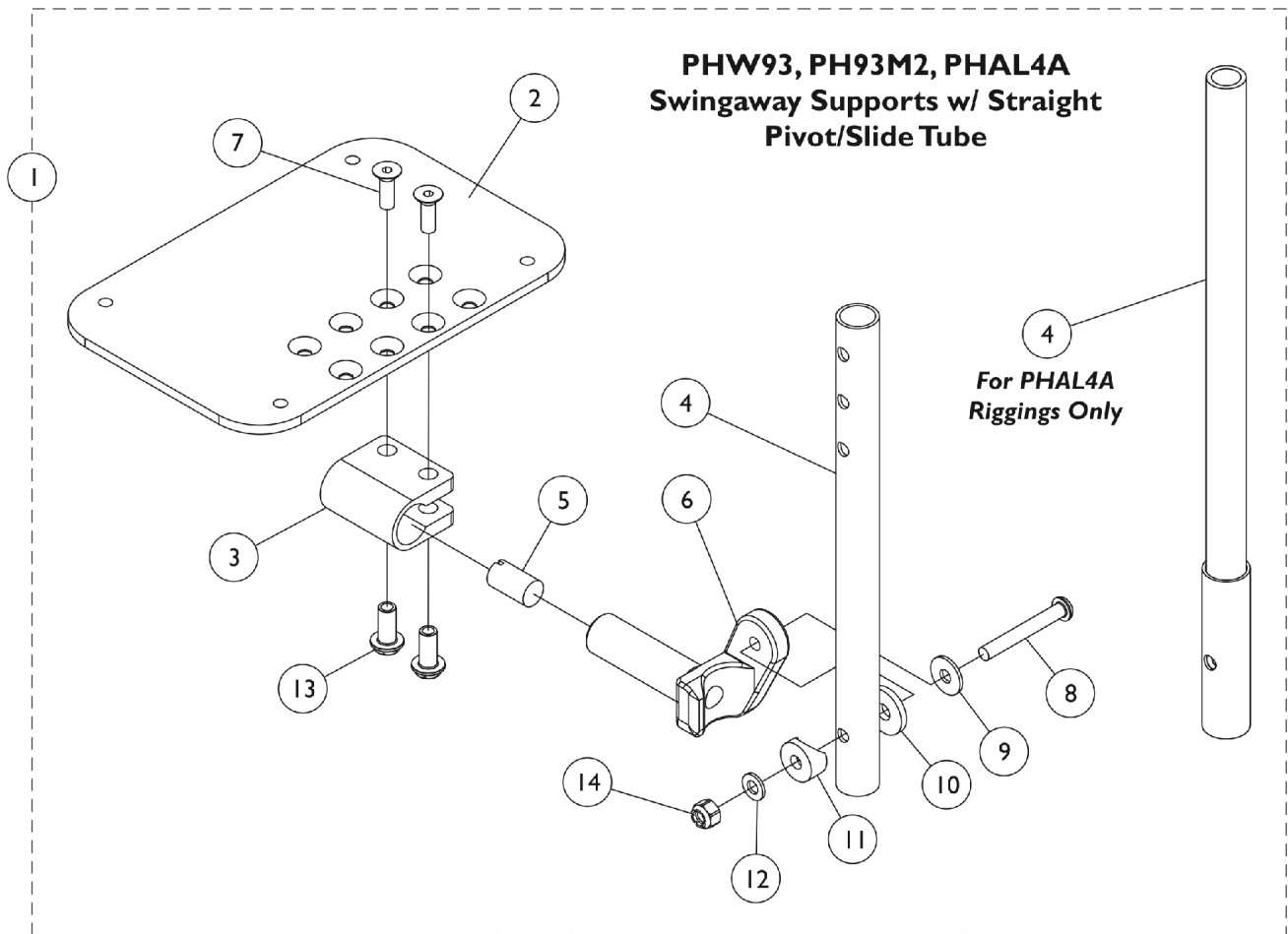


# Pivot/Slide Tube and Adjustable Angle Footplates AT5543

For the Following Front Riggings:  
PHW93, PH93M2, PHAL4A

NOTE: Heel loops are not included. See Footrest and Legrest Accessories page.



# Pivot/Slide Tube and Adjustable Angle Footplates AT5543

## For the Following Front Riggings: PHW93, PH93M2, PHAL4A

**NOTE: Heel loops are not included. See Footrest and Legrest Accessories page.**

Item Number	Note	Part Number	Description	Quantity Per	
				Package	Assembly
1		See Chart	Pivot/ Slide Tube with Adjustable Angle Footplate Assemblies	1	1
2	D	1113572	Footplate, Adjustable Angle, Medium, Black (4-1/4" W x 8" L)	1	1
2	D	1113573	Footplate, Adjustable Angle, Large, Black (5-1/4" W x 8" L)	1	1
2	D	1113574	Footplate, Adjustable Angle, Extra Large, Black (6-1/4" W x 8" L)	1	1
3		1058517	Clamp, Footplate	1	1
4	A	1057855	Tube, Pivot and Slide, Straight, Steel, Black (9-7/8" L)	1	1
4	B	1120384-NLA	NLA - Tube, Pivot/Slide, Straight - Alum. (9-7/8" L)	1	1
4	C	1091745-NLA	NLA - Tube, Pivot/Slide, Straight, Steel, Chrome (13-7/8" L)	1	1
5		1048816	Screw, Nylon Adjustment (1/2-13 x 7/8")	1	1
6		1052102	Hinge, Footplate - Right	1	1
6		1052103	Hinge, Footplate - Left	1	1
7		1029545	Screw, Socket Flat Head (1/4-20 x 3/4")	1	2
8		7930321-NLA	NLA Package, Screw, Socket Button Head (1/4-20 x 1-7/8")	25	1
9		1026900	Washer (1/4 x 23/32 x 1/16")	1	1
10		7930313	Package, Washer, Nylon (5/16 x 7/8 x 1/8")	25	1
11		1025457	Spacer, Coved (1/4 x 3/4 x 11/32")	1	1
12		1026907	Washer (1/4 x 1/2 x 1/16")	1	1
13		1082686	Nut, Barrel, Hex Head (1/4-20 x 11/16")	1	2
14		7930333	Locknut (1/4-20)	25	1

NOTE: A - For PHW93 footrest  
 B - For PH93M2 footrest  
 C - For PHAL4A legrest  
 D - This footplate was revised 9/2/2008 with rounder corners and accessory holes changed from 8 to 4. Recommended to replace footplate in pairs to match sides.

### Pivot/ Slide Tube with Adjustable Angle Footplate Assemblies

Rigging Type	Side	12-13" Wide 4-1/4" Medium Footplate	14-15" Wide 5-1/4" Large Footplate	16" Wide 6-1/4" X- Large Footplate
PHW93	Right	1060442	1060444	1062756
	Left	1060443	1060445	1062757
PH93M2	Right	1060430	1060432	1062572
	Left	1060431	1060433	1062573
PHAL4A	Right	N/A	1091775-NLA	1091777-NLA
	Left	N/A	1091776-NLA	1091778-NLA

**Pivot/Slide Tube and Adjustable Angle Footplates AT5543**  
**For the Following Front Riggings:**  
**PHW93, PH93M2, PHAL4A**

**NOTE: Heel loops are not included. See Footrest and Legrest Accessories page.**

---