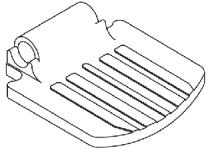
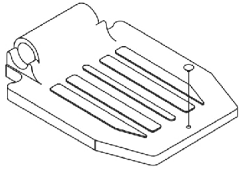


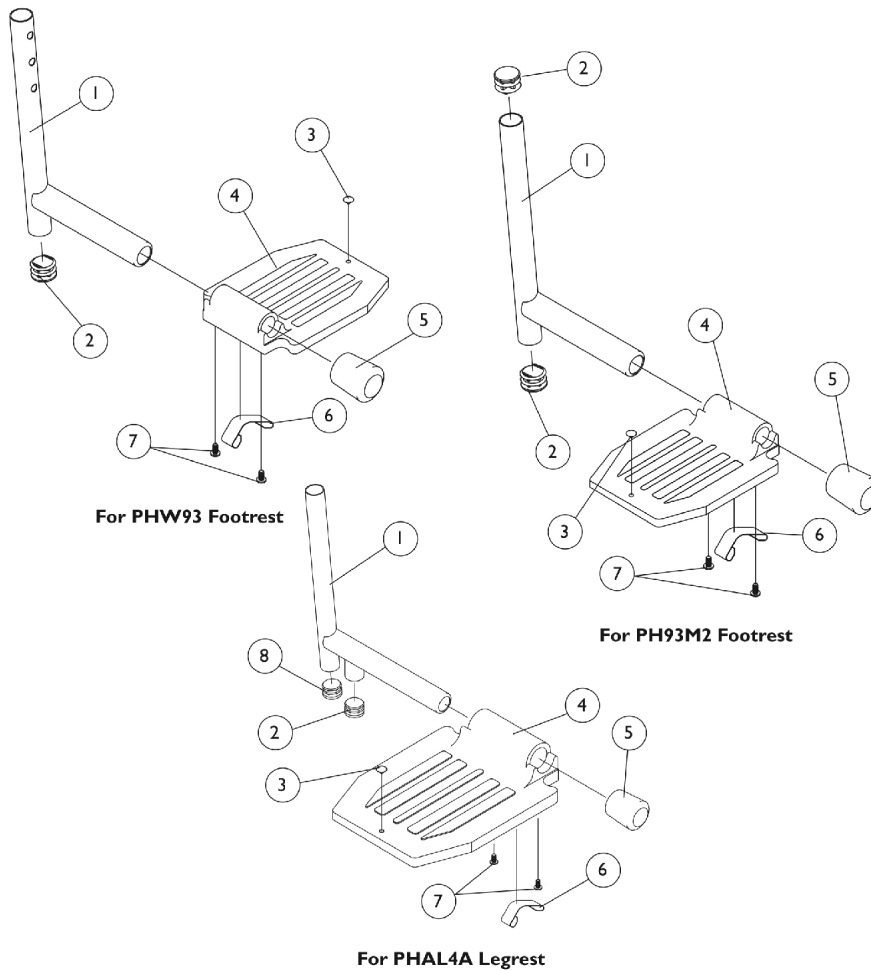
# Pivot/Slide Tube and 1650 Standard Aluminum Footplate

## For the Following Front Riggings: PHW93, PH93M2, PHAL4A

NOTE: Heel Loops are not included. See Footrest and Legrest Accessories page.

NOTE: For complete pivot/ slide tube and footplate assemblies, see Front Rigging Reference Chart page.

	
<p>12"-15" Wide 1650 Standard Aluminum</p>	<p>16" Wide 1650 Standard Aluminum</p>



# Pivot/Slide Tube and 1650 Standard Aluminum Footplate

## For the Following Front Riggings: PHW93, PH93M2, PHAL4A

**NOTE: Heel Loops are not included. See Footrest and Legrest Accessories page.**

**NOTE: For complete pivot/ slide tube and footplate assemblies, see Front Rigging Reference Chart page.**

Item Number	Note	Part Number	Description	Quantity Per	
				Package	Assembly
1	A	1048834	Pivot/Slide Tube w/ Plug Button, Black	1	1
1	B	1041527	Pivot/Slide Tube w/ Plug Button, Black	1	1
1	C	1041526	Pivot/Slide Tube w/ Plug Button Assembly, Chrome	1	1
2	D	1027097	Plug Button, Black (3/4")	1	2
3		1070168	Plug, Push, Footplate	1	1
4	E	44200X032-NLA	NLA - Footplate, Aluminum, Extra Small, Black (5-3/4" W x 6" L)	1	1
4	F	44200X059	Footplate, Aluminum, Small, Black (6-3/4" W x 6" L)	1	1
4	G	44200X027	Footplate, Aluminum, Medium, Black (7-3/4" W x 6" L)	1	1
5		1016346	Cap, End, Tube, Black (7/8")	1	1
6		1006981	Spring, Tension	1	1
7		40120X001	Screw, Phillips Pan Head (#8-32 x 3/8")	1	2
8		1018133	Plug Button, Black (5/8")	1	1
<p><b>NOTE:</b> A - For PHW93 Footrest            B - For PH93M2 Footrest            C - For PHAL4A Legrest            D - PH93M2 Pivot/Slide tube uses a quantity of 2 plug buttons            E - For 12"-13" wide seats            F - For 14"-15" wide seats            G - For 16" wide seats</p>					