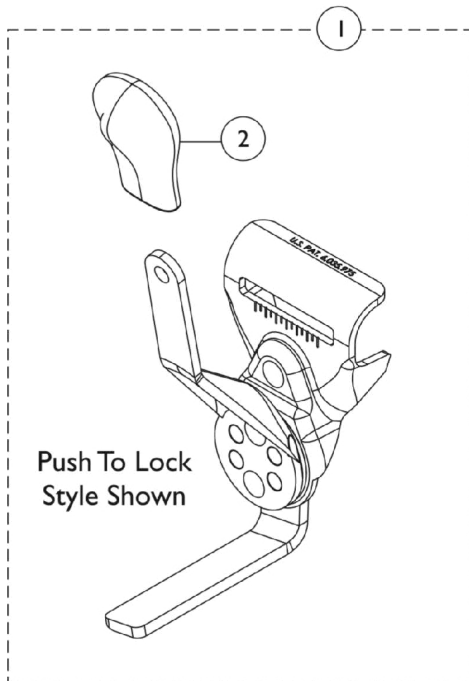
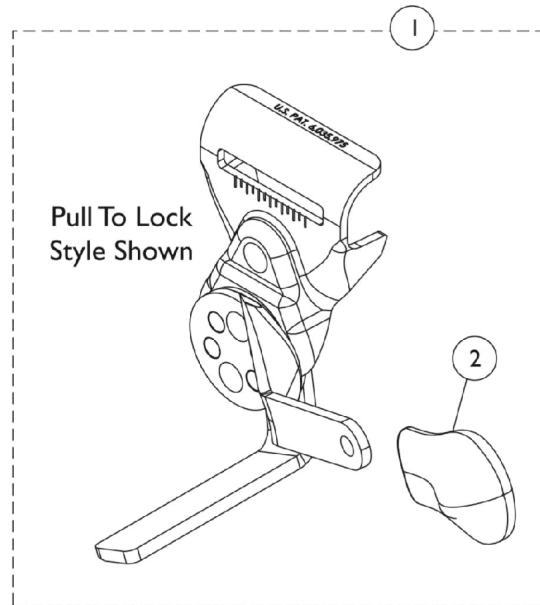
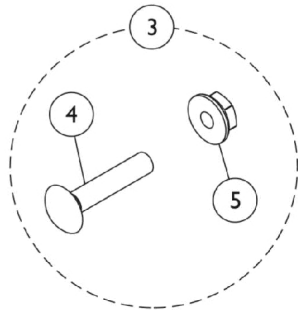


Disk Style Wheel Lock (After 8/15/03)



Disk Style Wheel Lock (After 8/15/03)

Item Number	Note	Part Number	Description	Quantity Per	
				Package	Assembly
1	C,C1,C2	1110225-NLA	NLA - Wheel Lock Assembly, Disk Push to Lock, Black - Right	1	1
1	C,C1,C2	1110226-NLA	NLA - Wheel Lock Assembly, Disk Push to Lock, Black - Left	1	1
1	C,C1,C2	1110227-NLA	NLA - Wheel Lock Assembly, Disk Pull to Lock, Black - Right	1	1
1	C,C1,C2	1110228-NLA	NLA - Wheel Lock Assembly, Disk Pull to Lock, Black - Left	1	1
2		1110160-NLA	NLA - Tip, Plastic Wheel Lock Handle, Black	1	1
3	A	1017677	Kit, Hardware, Wheel Lock (Pair)	1	1
4			Bolt, Carriage (1/4-20 x 1-1/4")	1	2
5			Nut, Hex Flang (1/4-20)	1	2
	B	1058900	Wheel Lock Extension Handle Assembly, Black (8")	1	1
	D,E,G	1045853	Wheel Lock Assembly, Adult, Push To Lock, Black - Right	1	1
	D,E,G	1045854	Wheel Lock Assembly, Adult, Push To Lock, Black - Left	1	1
	D,E,G	1045849-NLA	NLA - Wheel Lock Assembly, Hemi, Pull to Lock, Black - Right	1	1
	D,E,G	1045850-NLA	NLA - Wheel Lock Assembly, Hemi, Pull to Lock, Black - Left	1	1
	D,E,G,I	1101454	Wheel Lock Assembly, Pull to Lock, Black - Right	1	1
	D,E,G,I	1101455	Wheel Lock Assembly, Pull to Lock, Black - Left	1	1
	D,F,G,J	1045861-NLA	NLA - Wheel Lock Assembly, Adult, Push to Lock, Black - Right	1	1
	D,F,G	1045862-NLA	NLA - Wheel Lock Assembly, Adult, Push to Lock, Black - Left	1	1
	D,F,G,J	1023493	Wheel Lock Assembly, Push to Lock - Right	1	1
	D,F,G	1023494	Wheel Lock Assembly, Push / Lock - Left	1	1
	D,H	1034165	NLA - Hardware, Attaching Kit (Pair)	1	1
			Bolt, Carriage (1/4-20 x 1-1/4")	1	2
			Locknut (1/4-20)	1	2

NOTE: A - Includes (2) each of item 4,5 and used for Disk-Style Wheel Locks.
 B - Not shown. Includes: 1 each Extension Handle and Rubber Tip. Used for Disk-Style Wheel Locks.
 C - Disk Style Wheel Locks are no longer available as a Service Part. Must convert to Link-Pivot Style Wheel Locks listed. Order Right/Left side to match. For Removable Arms use part #'s 1045853/1045854 (Push to Lock) or 1045849/1045850 (Pull to Lock)
 C1 - For Permanent Arms use part #'s 1045861/1045862 (Push to Lock). New Wheel Lock Attaching Hardware part #1034165 also required.
 C2 - Additional Wheel Lock information can be found under categories titled "Wheel Locks - Link-Pivot Style - Adult and Hemi - Removable Arms" or "Wheel Locks - Link-Pivot Style - Adult - Permanent Arms".
 D - Not Shown.
 E - Use for Removable Arms.
 F - Use for Permanent Arms.
 G - Link-Pivot Style Wheel Lock.
 H - Used for Link-Pivot Style Wheel Locks. 1034165 in Zinc Finish is NLA. Use part number 1017677 in Black finish as a replacement.
 I - NLA. See part numbers 1101454 and 1101455 as replacements.
 J - NLA. See part numbers 1023493 and 1023494 as replacements.