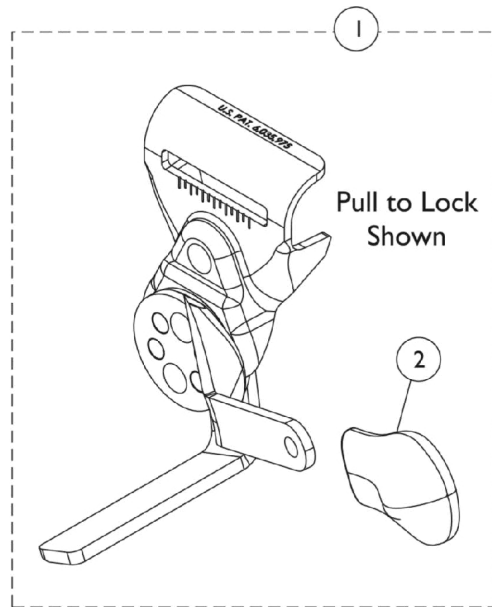
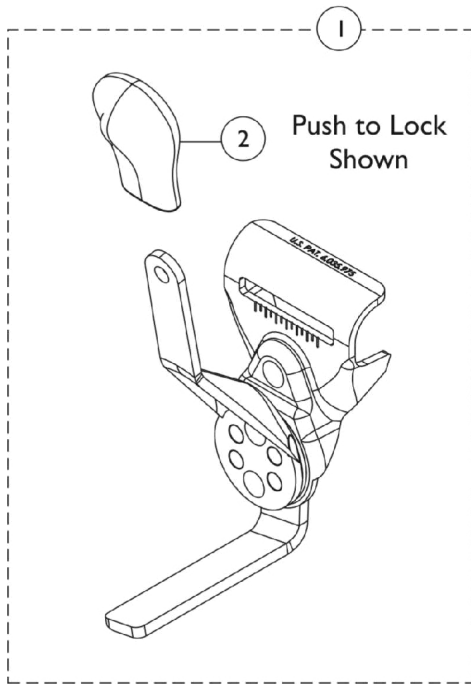
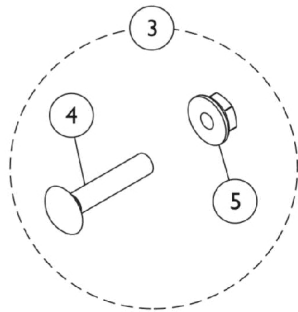


Disk Style Wheel Locks

Conventional & Space Saver Arm (After 8/14/03)



Disk Style Wheel Locks

Conventional & Space Saver Arm (After 8/14/03)

Item Number	Note	Part Number	Description	Quantity Per	
				Package	Assembly
1	C,C1,C 2	1110227-NLA	NLA - Wheel Lock Assembly, Disk Pull to Lock, Black - Right	1	1
1	C,C1,C 2	1110228-NLA	NLA - Wheel Lock Assembly, Disk Pull to Lock, Black - Left	1	1
1	C,C1,C 2	1110225-NLA	NLA - Wheel Lock Assembly, Disk Push to Lock, Black - Right	1	1
1	C,C1,C 2	1110226-NLA	NLA - Wheel Lock Assembly, Disk Push to Lock, Black - Left	1	1
2		1110160-NLA	NLA - Tip, Plastic Wheel Lock Handle, Black	1	1
3	A	1017677	Kit, Hardware, Wheel Lock (Pair)	1	1
4			Bolt, Carriage (1/4-20 x 1-1/4")	1	2
5			Nut, Hex Flang (1/4-20)	1	2
	B	1058900	Wheel Lock Extension Handle Assembly, Black (8")	1	1
	B,D	1101452	Wheel Lock Assembly, Push to Lock, Black - Right	1	1
	B,D	1101453	Wheel Lock Assembly, Push to Lock, Black - Left	1	1
	B,D	1101454	Wheel Lock Assembly, Pull to Lock, Black - Right	1	1
	B,D	1101455	Wheel Lock Assembly, Pull to Lock, Black - Left	1	1
	B,E	1111924	Wheel Lock Assembly, Push to Lock, Black - Right	1	1
	B,E	1111925	Wheel Lock Assembly, Push to Lock, Black - Left	1	1
	B,E	1111926	Wheel Lock Assembly, Pull to Lock, Black - Right	1	1
	B,E	1111927	Wheel Lock Assembly, Pull to Lock, Black - Left	1	1

NOTE: A - Includes items 3 and 4.
 B - Not shown.
 C - Disk Style Wheel Locks are no longer available as a Service Part. Must convert to Link-Pivot Style Wheel Locks listed. Order Right/Left side to match. For Conventional Arms use part #'s 1101452/1101453 (Push to Lock) or 1101454/1101455 (Pull to Lock).
 C1 - For Space Saver Arms use part #'s 1111924/1111925 (Push to Lock) or 1111926/1111927 (Pull to Lock). Can use existing attaching hardware.
 C2 - Additional Wheel Lock information can be found under categories titled "Wheel Locks - Link-Pivot Style - Conventional Arm, Builder Chairs (After 4/15/07)" or "Wheel Locks - Link-Pivot Style - Space Saver Arm, Builder Chairs (After 4/15/07)".
 D - Use for Conventional Arms.
 E - Use for Space Saver Arms.