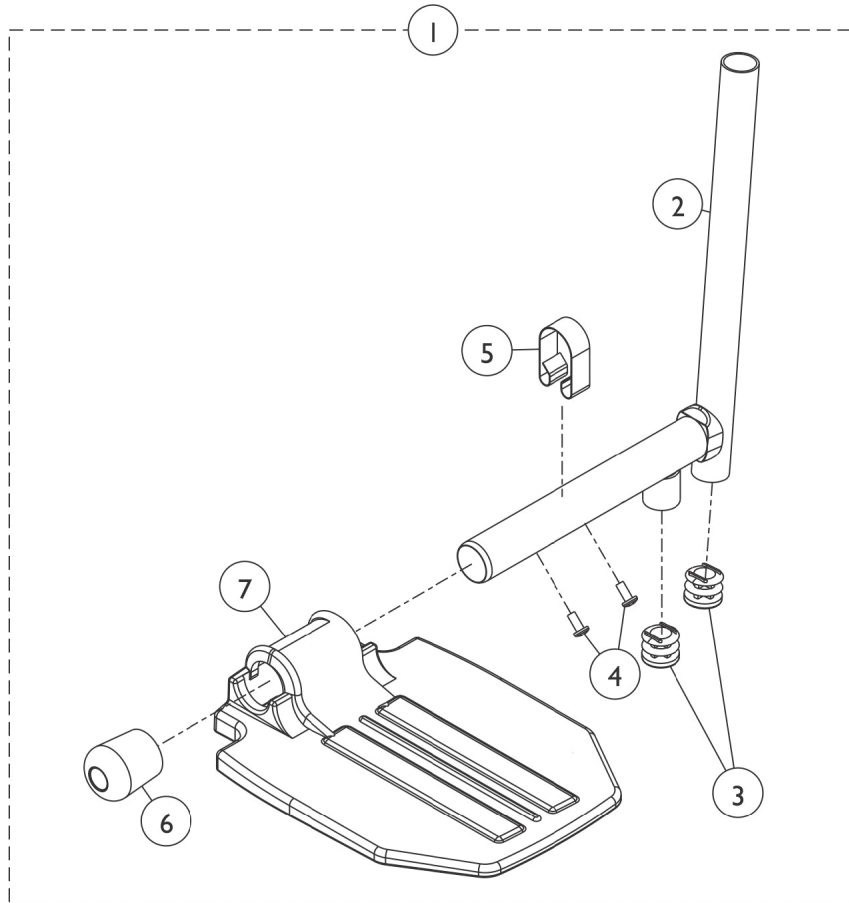


Pivot Slide Tube with Footplate AHL4A/C Legrests

NOTE: If your chair was built with a serial # starting with "03H" or "03I", please contact an Invacare Parts Specialist for replacement parts at 1-800-333-6900 Ext. 3722.



Pivot Slide Tube with Footplate AHL4A/C Legrests

NOTE: If your chair was built with a serial # starting with "03H" or "03I", please contact an Invacare Parts Specialist for replacement parts at 1-800-333-6900 Ext. 3722.

Item Number	Note	Part Number	Description	Quantity Per	
				Package	Assembly
1		See Chart	Pivot/Slide Tube Assembly with Footplate - AHL4A/C Legrests	1	1
2		7500085-NLA	NLA - Pivot/Slide Tube w/ Plug Button Assembly, Chrome	1	1
2		1041526	Pivot/Slide Tube w/ Plug Button Assembly, Chrome	1	2
3		1027097	Plug Button, Black (3/4")	1	2
3		1018133	Plug Button, Black (5/8")	1	1
4		40120X001	Screw, Phillips Pan Head (#8-32 x 3/8")	1	1
5		1006981	Spring, Tension	1	1
6		1016346	Cap, End, Tube, Black (7/8")	1	1
7		1015178	Footplate, Composite, Black (6" W x 7-53/64" L)	1	1
7	A	44200X059	Footplate, Aluminum, Small, Black (6-3/4" W x 6" L)	1	1
7	A	44200X027	Footplate, Aluminum, Medium, Black (7-3/4" W x 6" L)	1	1
7	A	44200X025	Footplate, Aluminum, Extra Large, Black - Right (8" W x 8-1/2" L)	1	1
7	A	44200X026	Footplate, Aluminum, Extra Large, Black - Left (8" W x 8-1/2" L)	1	1

NOTE: A - Aluminum footplates on chairs built before 2/96 had a "Ball Burnish" finish. Footplates after 1/96 now have a black finish. When replacing one ball burnish footplate it is suggested that you order two new (black) footplates.

Pivot/Slide Tube Assembly with Footplate - AHL4A/C Legrests

Front Rigging Model	Chair Width	Footplate Type	Side	Part Number
AHL4A Chrome	18 - 24" W	Aluminum	Right	1023907
AHL4A Chrome	18 - 24" W	Aluminum	Left	1023908
AHL4C Chrome	18 - 24" W	Composite See Note(s) A	Right/Left	1023909-NLA
AHL4C Chrome	18 - 24" W	Composite See Note(s) A	Right/Left	1023910-NLA
AHL4A	18 - 24" W	Extra Large Aluminum See Note(s) B	Right	1035456
AHL4A	18 - 24" W	Extra Large Aluminum See Note(s) B	Left	1035457

NOTE: A - Use the same parts number when ordering Front Rigging for either side.
B - Order replacements depending on asked for sizing.