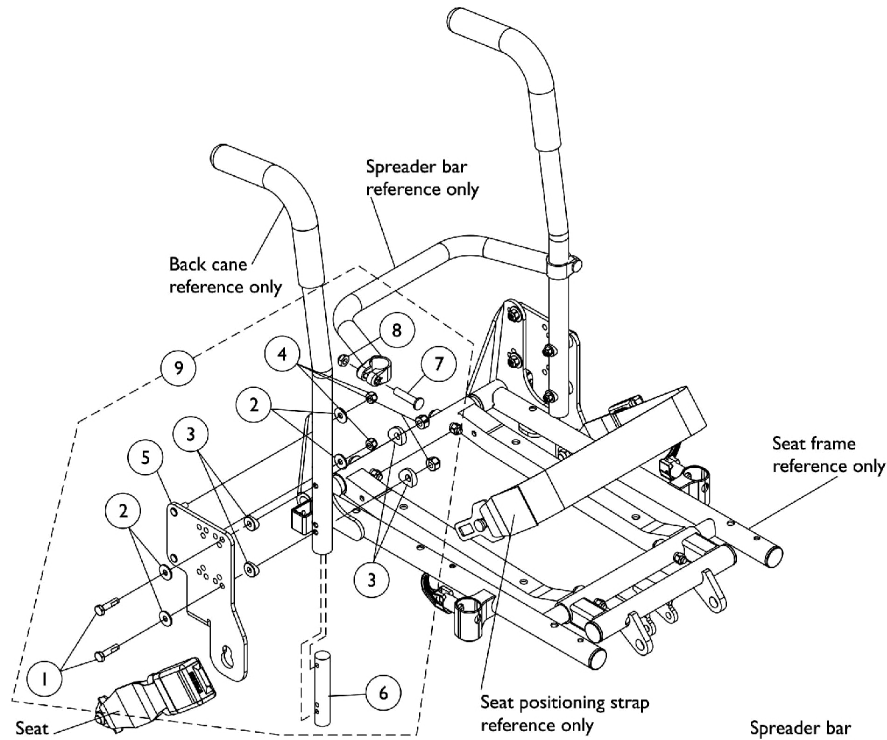
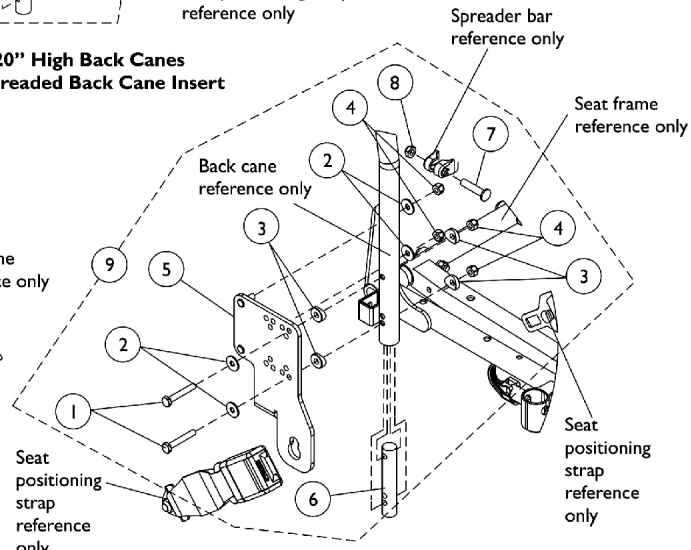
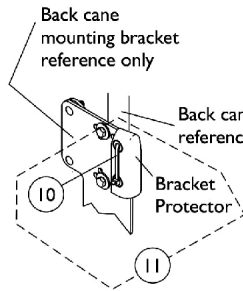


Back Canes and Spreader Bar Mounting Hardware Before 10/27/04 (14-15" Seat Depths)



**For 12"-20" High Back Canes
with a Threaded Back Cane Insert**



**For 21"-22" High Back Canes
with a Non-Threaded Back Cane Insert**

Back Canes and Spreader Bar Mounting Hardware Before 10/27/04 (14-15" Seat Depths)

Item Number	Note	Part Number	Description	Quantity Per	
				Package	Assembly
1	A	1037610	Screw, Hex Head (1/4-20 x 1-5/8")	1	4
2		1026900	Washer (1/4 x 23/32 x 1/16")	1	8
3		1026099	Spacer, Coved (1/4 x 11/16 x 1/2")	1	8
4		1025736	Locknut (1/4-20)	1	8
5		1121897-NLA	NLA - Bracket, Back Cane Mounting, Black - Right (14 - 15" D)	1	1
5		1121898-NLA	NLA - Bracket, Back Cane Mounting, Black - Left (14 - 15" D)	1	1
6	A	1059388	Insert, Non-Threaded Back Cane (For Back Heights 20" and Lower)	1	2
6		1070433-NLA	NLA - Insert, Non-Threaded Back Cane (For Back Heights 21" and Higher)	1	2
7	B	1031026	Screw w/ Lug (5/16-24 x 1-3/8")	1	2
8	B	1025730	Locknut (5/16-24)	1	2
9	C	1122279-NLA	NLA - Kit, Back Mounting Hardware (14-15" Seat Depths with 12-19" Back Heights)	2	1
9	D	1122280-NLA	NLA - Kit, Back Mounting Hardware (14-15" Seat Depths with a 20" Back Height)	2	1
9	D	1122281-NLA	NLA - Kit, Back Mounting Hardware (14-15" Seat Depths with 21-22" Back Heights)	2	1
10		1006525	Tie Wrap (3-29/32" L)	1	2
11		1045270-NLA	NLA - Protector Bracket Assembly	2	1
	E,F	1045271-NLA	NLA - Instruction Sheet, Bracket Protector	1	1

NOTE: A - Prior to 7/9/04 new back mounting hardware must be ordered for 14-15" deep seats that use CJ brackets. The threaded insert was replaced with a non-threaded insert for back heights 20" and lower.
B - Item 7 and 8 used for back heights 20"-22" only
C - Includes items 1-6
D - Includes items 1-8
E - Not Shown
F - Item is no longer available from the Invacare Service Parts Department. Refer to the Invacare Website under "Product Literature Search". Enter the part number in the "Keywords" field and download a free PDF version copy.