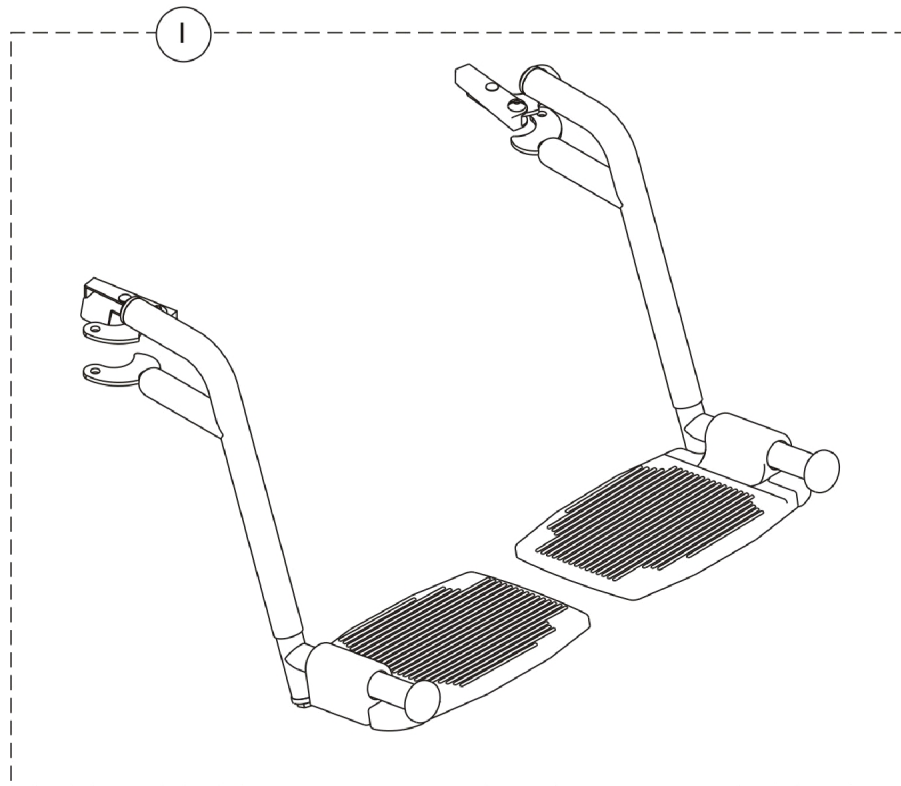


Footrest Assembly

Invacare Lightweight Transport & Invacare Aluminum Transport



Footrest Assembly

Invacare Lightweight Transport & Invacare Aluminum Transport

| Item Number | Note | Part Number | Description | Quantity Per | |
|-------------|------|-------------|--------------------------------------|--------------|----------|
| | | | | Package | Assembly |
| 1 | | 1122100-NLA | NLA - Footrest Assembly, Blue (Pair) | 1 | 1 |
| 1 | | 1122097-NLA | NLA - Footrest Assembly, Red (Pair) | 1 | 1 |
| | A | 1122093-NLA | NLA - Footrest, Blue - Right | 1 | 1 |
| | A | 1122094-NLA | NLA - Footrest, Blue - Left | 1 | 1 |
| | A | 1122095-NLA | NLA - Footrest, Red - Right | 1 | 1 |
| | A | 1122096-NLA | NLA - Footrest, Red - Left | 1 | 1 |

NOTE: A - Not shown.