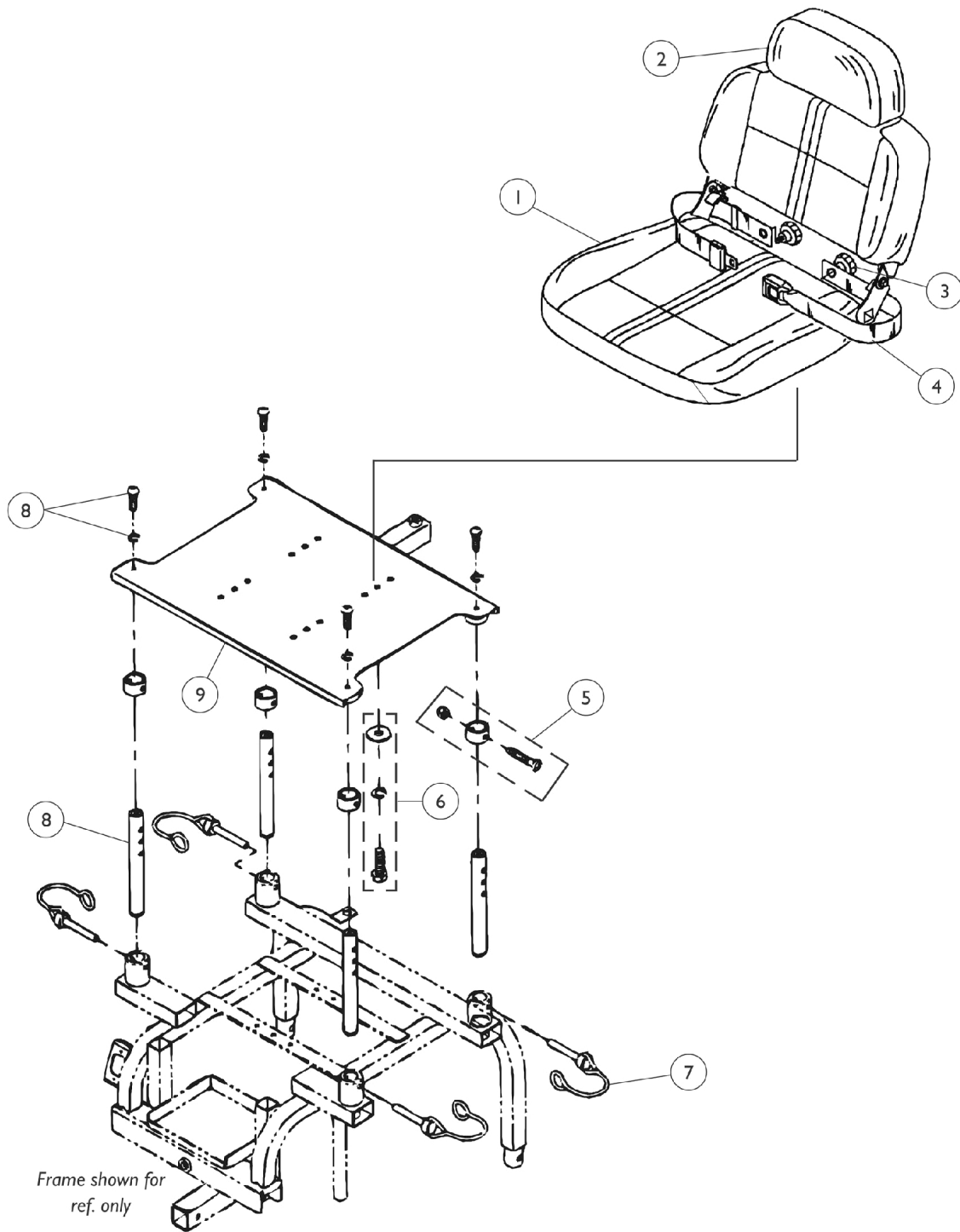


Seat Assembly and Mounting Hardware



Seat Assembly and Mounting Hardware

Item Number	Note	Part Number	Description	Quantity Per	
				Package	Assembly
1	A	1099755-NLA	NLA - Seat with Headrest Pillow, Gray Cloth - Before 3/01/01	1	1
1		1106210-NLA	NLA - Seat w/ Headrest Pillow, Vinyl, Grey - After 2/28/01	1	1
2		1099756-NLA	NLA - Pillow, Headrest, Gray Cloth (Before 3/01/01)	1	1
2		1106211-NLA	NLA - Headrest, Vinyl (Gray) - Lynx LX3/ LX3 Plus and Panther LX4/ MX4	1	1
3		1088768-NLA	NLA - Knob, Lower Arm Tightening	1	2
4		P715	Strap, Seat Positioning - All Models	1	1
5		1099737-NLA	NLA - Hardware, Seat Adjusting Collar Includes: 4 ea. Collar, Seat Adjusting 4 ea. Screw, Phillips Pan Head (M6 x 1.0 x 40) 4 ea. Locknut (M6 x 1.0 x 1.0)	4	4
6		1099758-NLA	NLA - Hardware, Seat Stand Mounting Includes: 4 ea. Washer (M8 x 22 x 2) 4 ea. Washer, Spring (M8 x 13) 4 ea. Screw, Hex Head Cap (M8 x 1.25 x 25)	4	4
7		1099763-NLA	NLA - Connecting Pin Hardware, Seat	4	4
8		1099740-NLA	NLA - Strut, Seat with Hardware Includes: 4 ea. Strut, Seat 4 ea. Washer, Spring (M8 x 13) 4 ea. Screw, Socket Head (M8 x 1.25 x 20)	4	4
9		1099757-NLA	NLA - Stand, Seat	1	1

NOTE: A - Cloth seats are NLA. As a replacement, order the vinyl seat with headrest pillow part number 1106210.