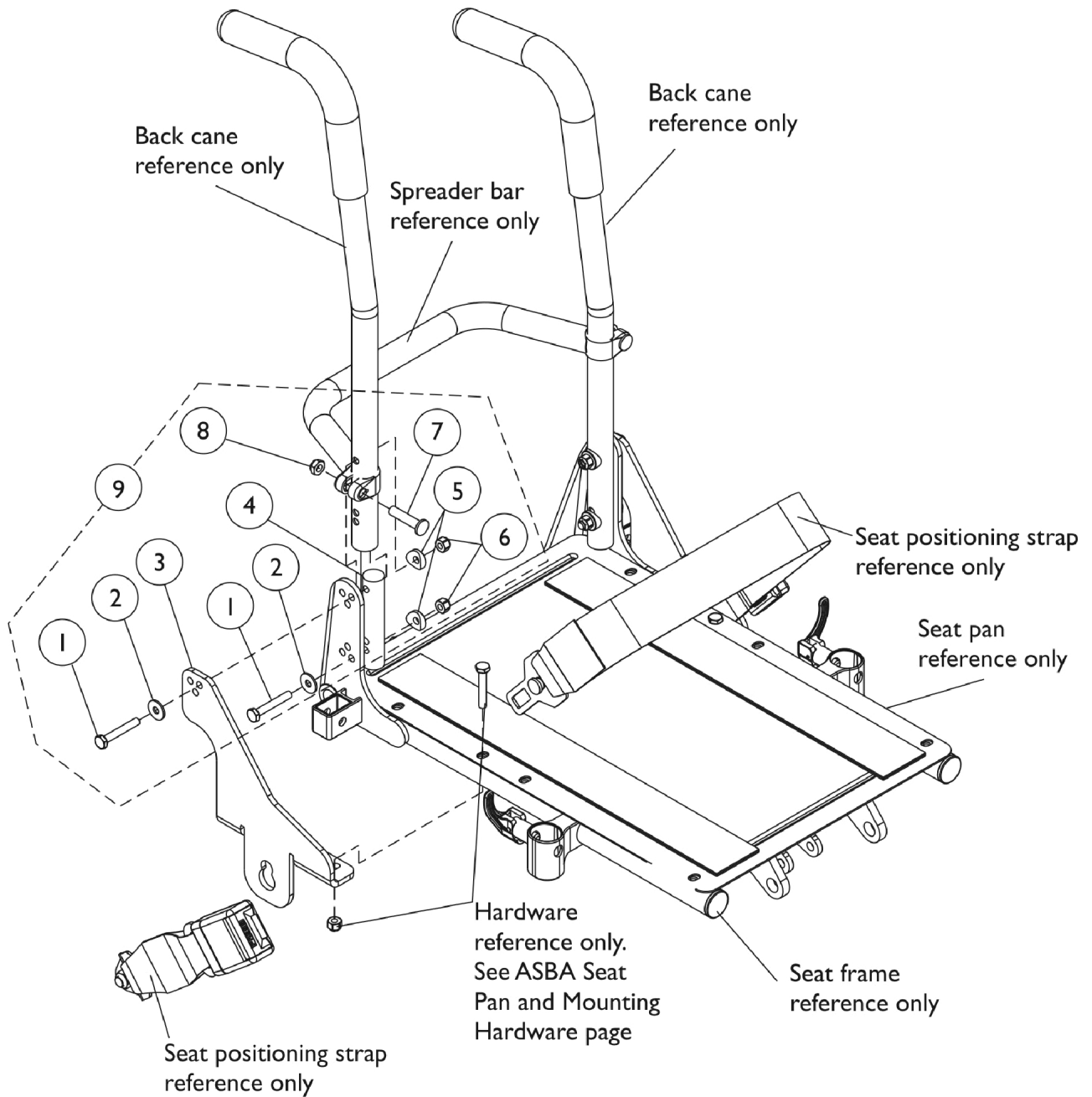


Back Canes and Spreader Bar Mounting Hardware

Before 10/27/04 (16" Seat Depth)



Back Canes and Spreader Bar Mounting Hardware Before 10/27/04 (16" Seat Depth)

Item Number	Note	Part Number	Description	Quantity Per	
				Package	Assembly
1		1037610	Screw, Hex Head (1/4-20 x 1-5/8")	1	4
2		1026900	Washer (1/4 x 23/32 x 1/16")	1	4
3		1121899-NLA	NLA - Bracket, Back Cane Mounting, Black - Right (16" D)	1	1
3		1121900-NLA	NLA - Bracket, Back Cane Mounting, Black - Left (16" D)	1	1
4	A	1059388	Insert, Non-Threaded Back Cane (For Back Heights 20" and Lower)	1	2
4	B	1070433-NLA	NLA - Insert, Non-Threaded Back Cane (For Back Heights 21" and Higher)	1	2
5		1026099	Spacer, Coved (1/4 x 11/16 x 1/2")	1	4
6		1025736	Locknut (1/4-20)	1	4
7	C	1031026	Screw w/ Lug (5/16-24 x 1-3/8")	1	2
8	C	1025730	Locknut (5/16-24)	1	2
9	D	1122282-NLA	NLA - Kit, Back Mounting Hardware (16" Seat Depth with 12-19" Back Heights)	2	1
9	E	1122283-NLA	NLA - Kit, Back Mounting Hardware (16" Seat Depth with a 20" Back Height)	2	1
9	E	1122284-NLA	NLA - Kit, Back Mounting Hardware (16" Seat Depth with 21-22" Back Heights)	2	1

NOTE: A - For 12"-20" back heights
 B - For 21"-22" back heights
 C - Item 7 and 8 used for back heights 20"-22" only
 D - Includes items 1-6
 E - Includes items 1-8