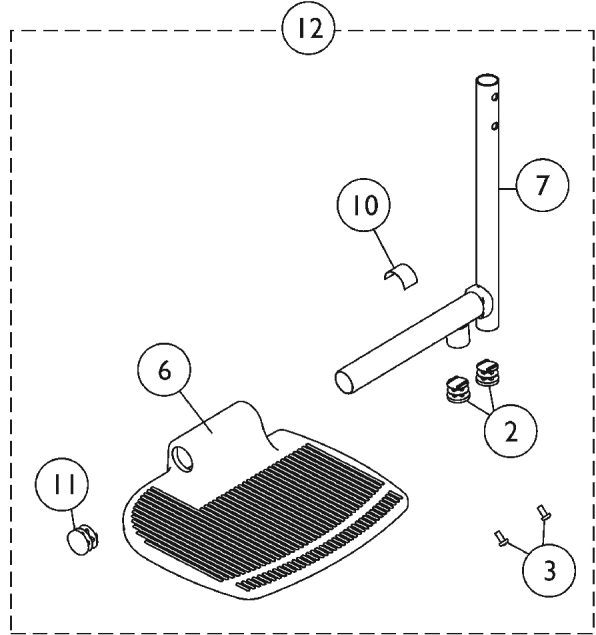
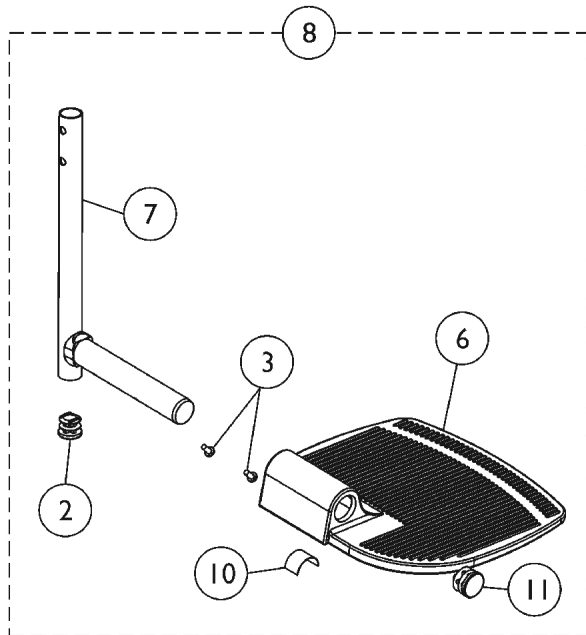
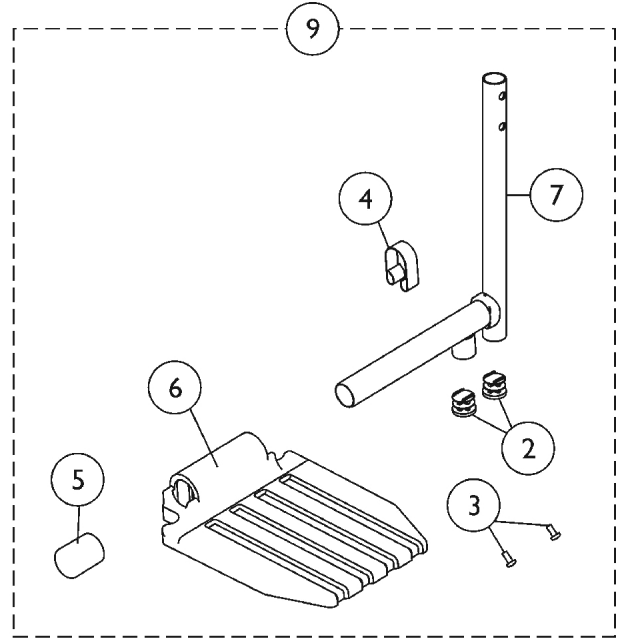
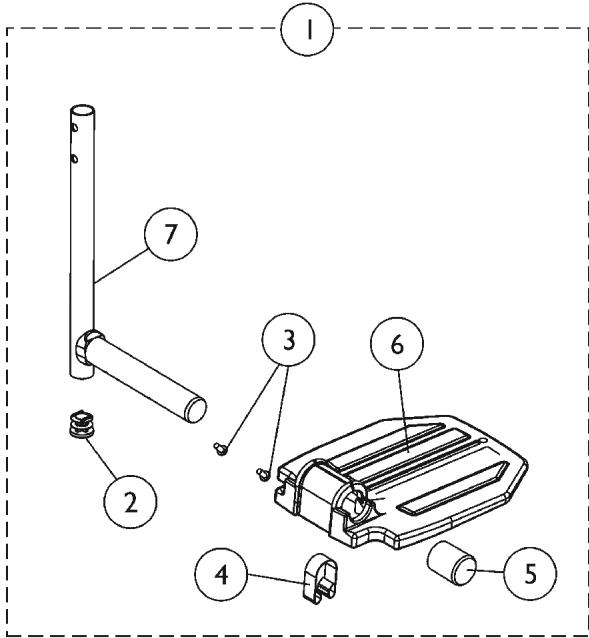


# Pivot/Slide Tube w/ Footplate

## T93H/T94H Series - Invacare Transport Only

**NOTE:** Pivot/Slide Tube and Footplate is attached to Footrest Support using the spring button or bolt thru hardware. See chart titled, "Pivot Slide Tube Attaching Hardware."



## Pivot/Slide Tube w/ Footplate T93H/T94H Series - Invacare Transport Only

**NOTE: Pivot/Slide Tube and Footplate is attached to Footrest Support using the spring button or bolt thru hardware. See chart titled, "Pivot Slide Tube Attaching Hardware."**

Item Number	Note	Part Number	Description	Quantity Per	
				Package	Assembly
1,8	A,B	See Chart	Item #1 and #8 Pivot Slide Tube with Footplate - T93H Series	1	1
2		1027097	Plug Button, Black (3/4")	1	1
3		40120X001	Screw, Phillips Pan Head (#8-32 x 3/8")	1	1
4		1006981	Spring, Tension	1	1
5		1016346	Cap, End, Tube, Black (7/8")	1	1
6	C	44200X027	Footplate, Aluminum, Medium, Black (7-3/4" W x 6" L)	1	1
6	C	1015178	Footplate, Composite, Black (6" W x 7-53/64" L)	1	1
6	C	44200X025	Footplate, Aluminum, Extra Large, Black - Right (8" W x 8-1/2" L)	1	1
6	C	44200X026	Footplate, Aluminum, Extra Large, Black - Left (8" W x 8-1/2" L)	1	1
7	D	1111278	Pivot/Slide Tube w/ Plug Button, Footrest, Chrome	1	1
7	E	1110300	Pivot/Slide Tube w/ Plug Button, Legrest, Chrome	1	1
9,12	F,G	See Chart	Item #9 and #12 Pivot Slide Tube with Footplate - T94H Series	1	1
10		1036123	Spring, Leaf	1	1
11		1027095	Plug Button, Black (7/8")	1	1
	H	See Chart	Pivot Slide Tube Attaching Hardware	1	1

NOTE: A - Item #1 includes items 2-7.  
 B - Item #8 includes items 2, 3, 6, 7,10 and 11.  
 C - Used for 16-22" wide models.  
 D - Used for T93H Series models  
 E - Used for T94H Series models  
 F - Item #9 includes items 2-7  
 G - Item #12 includes items 2, 3, 6, 7,10 and 11.  
 H - Not Shown

## Pivot/Slide Tube w/ Footplate

### T93H/T94H Series - Invacare Transport Only

**NOTE: Pivot/Slide Tube and Footplate is attached to Footrest Support using the spring button or bolt thru hardware. See chart titled, "Pivot Slide Tube Attaching Hardware."**

#### Item #1 and #8 Footrest Pivot Slide Tube with Footplate - T93H Series

Item Number	Model Number	Chair Width	Footplate Style	Frame Side	Standard	2" Longer	4" Longer
1.	T93HA T93HAB - Black	16-22"	Aluminium	Right	1111287	N/A	N/A
1.	T93HA T93HAB - Black	16-22"	Aluminium	Left	1111288	N/A	N/A
1.	T93HC T93HCB - Chrome	16-22"	Composite	Right	1111291	N/A	N/A
1.	T93HC T93HCB - Chrome	16-22"	Composite	Left	1111292	N/A	N/A
8.	T93HA - Chrome	16-22"	Extra Large Aluminum	Right	1110346	N/A	N/A
8.	T93HA - Chrome	16-22"	Extra Large Aluminum	Left	1110347	N/A	N/A

## Pivot/Slide Tube w/ Footplate T93H/T94H Series - Invacare Transport Only

**NOTE: Pivot/Slide Tube and Footplate is attached to Footrest Support using the spring button or bolt thru hardware. See chart titled, "Pivot Slide Tube Attaching Hardware."**

### Item #9 and #12 Legrest Pivot Slide Tube with Footplate - T94H Series

Item Number	Model Number	Chair Width	Footplate Style	Frame Side	Standard	2" Longer	4" Longer
9.	T94HA/T94H AB - Black	16-22"	Aluminum	Right	1110317	N/A	N/A
9.	T94HA/T94H AB - Black	16-22"	Aluminum	Left	1110318	N/A	N/A
9.	T94HC/T94H CB - Chrome	16-22"	Composite	Right	1110313	N/A	N/A
9.	T94HC/T94H CB - Chrome	16-22"	Composite	Left	1110314	N/A	N/A
12.	T94HA - Chrome	16-22"	Extra Large Aluminum	Right	1110350	N/A	N/A
12.	T94HA - Chrome	16-22"	Extra Large Aluminum	Left	1110351	N/A	N/A

### Pivot Slide Tube Attaching Hardware

Style	Part Number	Quantity Per Package	Quantity Per Footrest	Quantity Per Legrest
Spring Button Hardware Kit	1121272 See Note(s) A	2	2	4
Bolt Through Hardware Kit	1101776 See Note(s) A	2	2	2
Tool Kit	1058407 See Note(s) B	1	N/A	N/A

NOTE: A - Kit includes hardware and instruction sheet.  
B - Kit includes allen wrench, key, and open end wrench.