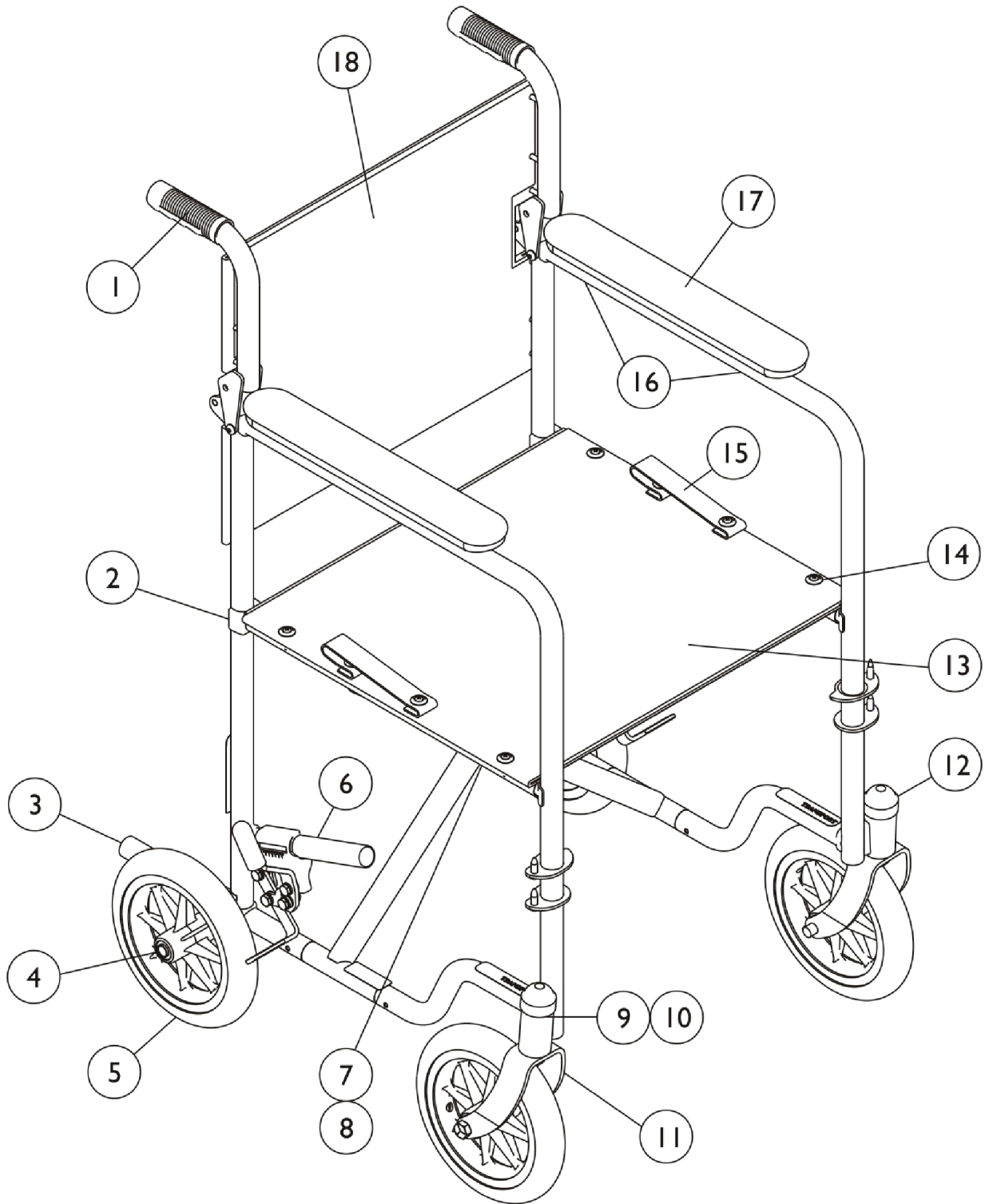


Invacare Transport - TRAN Series (TRAN86 & TRAN06)

See Section Titled, "Invacare Transport Only" for T93H/T94H Series Front Rigging Options.



Invacare Transport - TRAN Series (TRAN86 & TRAN06)

See Section Titled, "Invacare Transport Only" for T93H/T94H Series Front Rigging Options.

Item Number	Note	Part Number	Description	Quantity Per	
				Package	Assembly
1		1021261	Grip, Hand (6")	1	2
2		1023617	Guide, Seat, Rear, Black	1	4
3	A	1016346	Cap, End, Tube, Black (7/8")	1	2
4	B	57667P007	Screw, Hex Head (7/16-20 x 3-1/4")	1	1
4	B	1026101-NLA	Spacer (7/16 x 5/8 x 3/16")	1	1
4	B	20225X000	Locknut (7/16-20)	1	1
5	B	1144243	Wheel Assembly, Composite Solid Rubber, Dark Grey (8 x 1-1/4")	1	4
			Bearing, Flange	1	2
			Spacer	1	1
			Tire and Wheel Assembly, Composite, Black (8")	1	1
6	I	1045861-NLA	NLA - Wheel Lock Assembly, Adult, Push to Lock, Black - Right	1	1
6	I	1045862-NLA	NLA - Wheel Lock Assembly, Adult, Push to Lock, Black - Left	1	1
6		1023493	Wheel Lock Assembly, Push to Lock - Right	1	1
6		1023494	Wheel Lock Assembly, Push / Lock - Left	1	1
7		40317X001	Screw, Hex Head (5/16-24 x 2-3/4")	1	1
8		7930363-NLA	NLA - Package, Locknut (5/16"-24)	25	1
9		7930302	Locknut (1/2-20)	25	1
10		7930317-NLA	NLA - Washer, Nylon (5/8 x 15/16 x 3/32")	25	1
11	C	1015789-NLA	NLA - Fork and Stem Assembly, Black	1	2
12		1141761	Package, Cap, End, Black, Head Tube	10	1
13	D	1127533	Kit, Nylon Seat Upholstery (18 x 16")	1	1
			Upholstery, Seat, U240 (18" W x 16" D)	1	1
14			Screw, Phillips Oval Head w/ Washer (#10-16 x 7/8")	1	12
13	D	1127535	Kit, Nylon Seat Upholstery (20 x 16")	1	1
			Upholstery, Seat, U240 (20" W x 16" D)	1	1
14			Screw, Phillips Oval Head w/ Washer (#10-16 x 7/8")	1	12
15		1111054-NLA	NLA - Strap, Folding	1	2
15		8881091731-NLA	NLA - Strap, Carrying	1	1
		A			
16		40183X002	Screw, Phillips Pan Head (#10-32 x 1-1/8")	1	4
17		1090420-NLA	NLA - Pad, Arm, Full, Vinyl, Black	1	2
18		1113694-NLA	NLA - Back, Nylon (18" W)	1	1
18		1113695-NLA	NLA - Back, Nylon (20" W)	1	1
	E	1125095-NLA	NLA - Manual, Invacare Transport, Lightweight Transport, Bariatric Transport	1	1
	E	1048862	Carton	1	1
	E,F	40131X041	Insert, Top Carton	1	1
	E,H	40131X039-NLA	NLA - Insert, Carton	1	2
	E,G	1061325-NLA	NLA - Insert, Front Removable Arm	1	1

Invacare Transport - TRAN Series (TRAN86 & TRAN06)

See Section Titled, "Invacare Transport Only" for T93H/T94H Series Front Rigging Options.

NOTE: A - End cap with step is currently not available.
B - When replacing the front caster wheel, order items 4-5, and 11.
C - When replacing front fork & stem order items 4 and 5.
D - Seat upholstery consists of (8) screws and back upholstery consists of (12).
E - Not Shown.
F - Fold rear canes down, fold insert and place on top of chair with insert opening positioned over rear of chair.
G - Slide insert in at rear of chair.
H - Fold into a "z" shape and slide the 2 inserts in front of the front casters.
I - Longer Available. Use part #'s 1023493 and 1023494 as replacements.