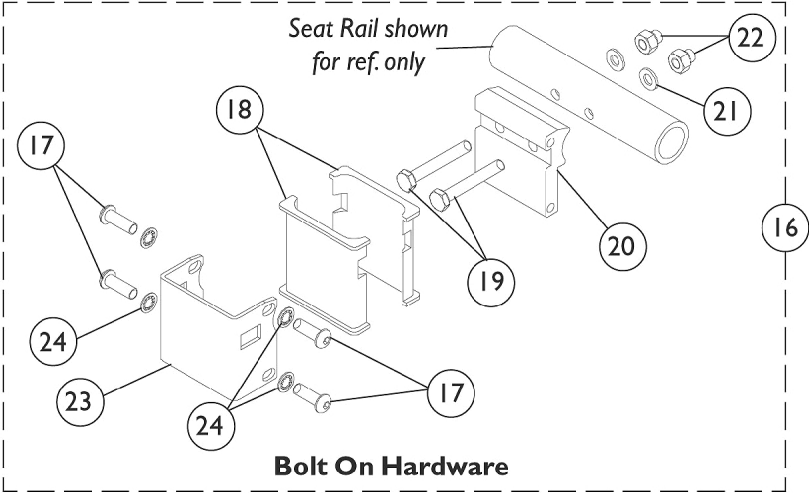
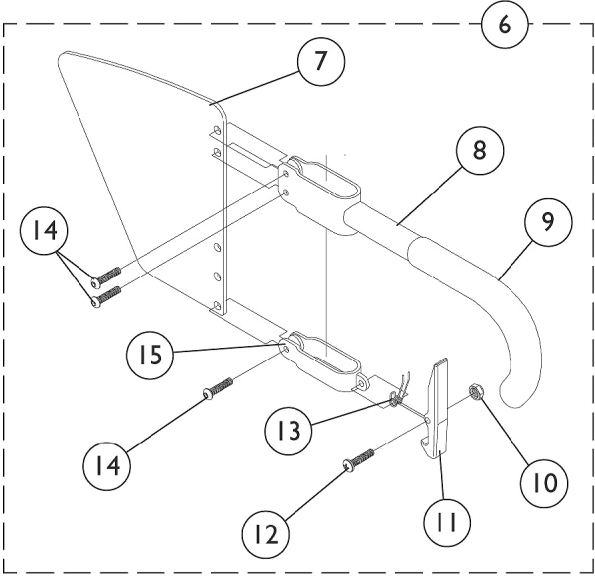
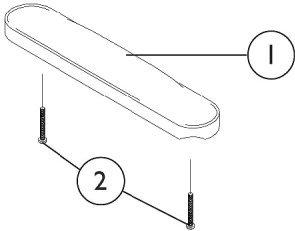
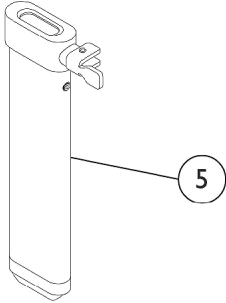
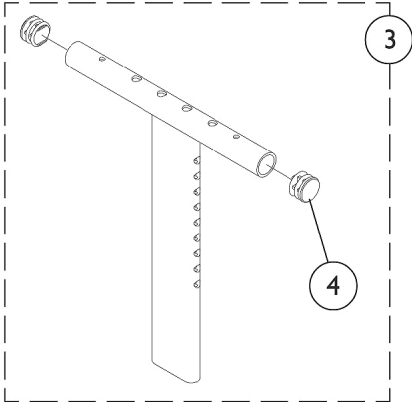


"T" Arms and Hardware



"T" Arms and Hardware

Item Number	Note	Part Number	Description	Quantity Per	
				Package	Assembly
1	A	8881053570	Kit, Arm Pad w/ Screws, Desk Length (Pair)	2	1
1	A	8881053571	Kit, Arm Pad w/ Screws, Full Length (Pair)	2	1
2		1055949	Package, Screw, Phillips Pan Head (#10-32 x 1-3/8")	2	1
3		1069639	T-Arm Assembly w/ Plug Buttons, Desk Length, Low Range, Black	1	1
3		1069641	T-Arm Assembly w/ Plug Buttons, Desk Length, High Range, Black	1	1
3		1069643	T-Arm Assembly w/ Plug Buttons, Full Length, Low Range, Black	1	1
3		1069645	T-Arm Assembly w/ Plug Buttons, Full Length, High Range, Black	1	1
4		1027095	Plug Button, Black (7/8")	1	2
5		1069635	Post, Arm, Low Range	1	1
5		1069637	Post, Arm, High Range	1	1
6	B	1073424	Kit, Clothing Guard, Low Range - Right	1	1
6	B	1073425	Kit, Clothing Guard, Low Range - Left	1	1
6	B	1073422	Kit, Clothing Guard, High Range - Right	1	1
6	B	1073423	Kit, Clothing Guard, High Range - Left	1	1
7		1069652-NLA	NLA - Guard, Clothing, Low Range	1	1
7		1069651-NLA	NLA - Guard, Clothing, High Range	1	1
8		1069634	Tube, Support, Low Range, Black - Right	1	1
8		1073247-NLA	NLA - Tube, Support, Low Range, Black - Left	1	1
8		1069650-NLA	NLA - Tube, Support, High Range, Black - Right	1	1
8		1073246	Tube, Support, High Range, Black - Left	1	1
9		1028427	Grip, Foam	1	1
10		1025731	Locknut (#10-32)	1	1
11		1076839-NLA	NLA - Lever, Locking	1	1
12		1025716	Screw, Phillips Pan Head (#10-32 x 11/16")	1	1
13		1073196-NLA	NLA - Spring, Torsion	1	1
14		1006773-NLA	NLA - Screw, Socket Button Head (1/4-20 x 1/2")	1	3
15		1075069-NLA	NLA - Clamp, Clothing Guard - Right	1	1
15		1075070-NLA	NLA - Clamp, Clothing Guard - Left	1	1
16	C	1069632	Arm Socket Assembly, Bolt On	1	1
17		1055305-NLA	NLA - Screw, Socket Button Head (1/4-28 x 3/4")	1	4
18		1069609	Insert, Arm Socket, Black	1	2
19		1055348	Screw, Hex Head (1/4-28 x 1-3/4")	1	2
20		1069629-NLA	NLA - Bracket, T-Arm Socket, Threaded, Black	1	1
21		1026907	Washer (1/4 x 1/2 x 1/16")	1	2
22		1085111	Nut, Hex (1/4-28)	1	3
23		1069620-NLA	NLA - Bracket, Socket, Black	1	1
24		1026108	Lockwasher (1/4 x 15/32 x 1/64")	1	4
	D	See Chart	"T" Arm Kits	1	1

"T" Arms and Hardware

NOTE: A - Specify upholstery color U67 Black when ordering.
B - Includes items 7-15
C - Includes items 17-24
D - Includes items 1-3, 5-6 and 16.

SARMHT - High Range Arm Adjustment is 9" - 17".

SARMHT - Low Range Arm Adjustment is 6-1/2" - 12-1/2"

"T" Arms and Hardware

"T" Arm Kits

Kits Include Items 1-3,5-6, & 16

Part Number	Arm Style
1111709	Desk Length, Low Range (1 Pair)
1111710	Desk Length, High Range (1 Pair)
1111711	Full Length, Low Range (1 Pair)
1111712	Full Length, High Range (1 Pair)

Specify U67 upholstery color when ordering.