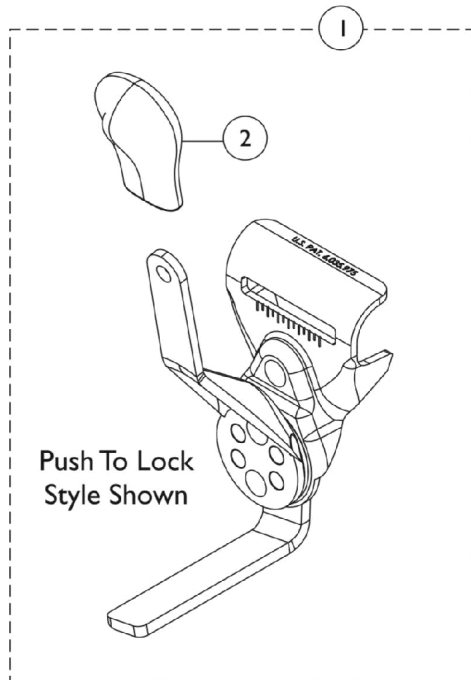
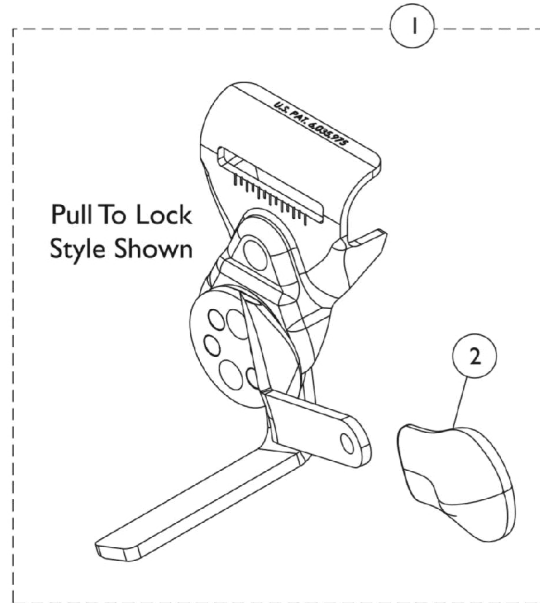
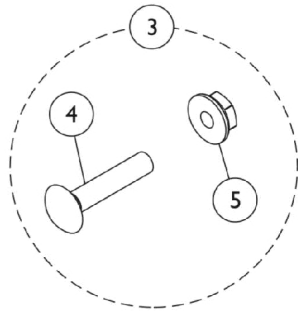


Disk Style Wheel Locks

(After 8/15/03)

NOTE: Due to the possibility of various manufacturing dates for Tracer IV Wheelchairs built with a serial # starting with "03H" or "03I", replacement parts will need to be ordered thru an Invacare Parts Specialist at 1-800-333-6900.



Disk Style Wheel Locks (After 8/15/03)

NOTE: Due to the possibility of various manufacturing dates for Tracer IV Wheelchairs built with a serial # starting with "03H" or "03I", replacement parts will need to be ordered thru an Invacare Parts Specialist at 1-800-333-6900.

Item Number	Note	Part Number	Description	Quantity Per	
				Package	Assembly
1	A,C,C1 ,E	1110225-NLA	NLA - Wheel Lock Assembly, Disk Push to Lock, Black - Right	1	1
1	A,C,C1 ,E	1110226-NLA	NLA - Wheel Lock Assembly, Disk Push to Lock, Black - Left	1	1
1	A,C,C1 ,F	1110227-NLA	NLA - Wheel Lock Assembly, Disk Pull to Lock, Black - Right	1	1
1	A,C,C1 ,F	1110228-NLA	NLA - Wheel Lock Assembly, Disk Pull to Lock, Black - Left	1	1
2		1110160-NLA	NLA - Tip, Plastic Wheel Lock Handle, Black	1	1
3	B	1017677	Kit, Hardware, Wheel Lock (Pair)	1	1
4			Bolt, Carriage (1/4-20 x 1-1/4")	1	2
5			Nut, Hex Flang (1/4-20)	1	2
	B,D,E	1101452	Wheel Lock Assembly, Push to Lock, Black - Right	1	1
	B,D,E	1101453	Wheel Lock Assembly, Push to Lock, Black - Left	1	1
	B,D,F	1101454	Wheel Lock Assembly, Pull to Lock, Black - Right	1	1
	B,D,F	1101455	Wheel Lock Assembly, Pull to Lock, Black - Left	1	1

NOTE: A - Includes the Wheel Lock and item 2.
 B - Not shown.
 C - Disk Style Wheel Locks are no longer available as a Service Part. Must convert to Link-Pivot Style Wheel Locks listed. Order Right/Left side to match. Can use existing attaching hardware.
 C1 - Additional Wheel Lock information can be found under category titled " Wheel Locks - Link Pivot Style, Removable & Flip Back Arms".
 D - Link-Pivot Style Wheel Locks.
 E - Standard on Adult Seat to Floor models.
 F - Standard on Hemi Seat to Floor models.