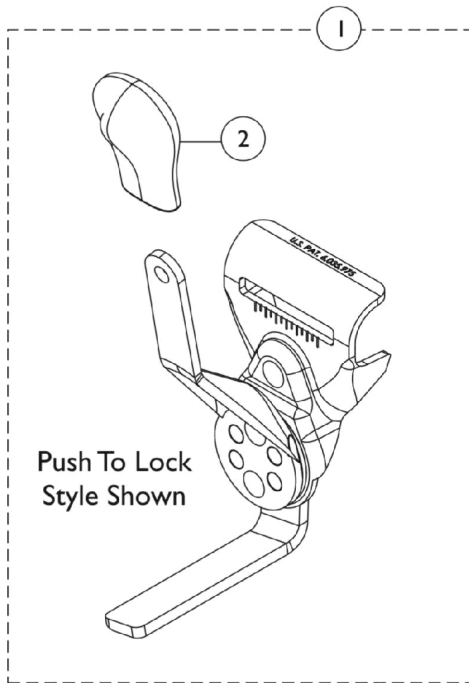
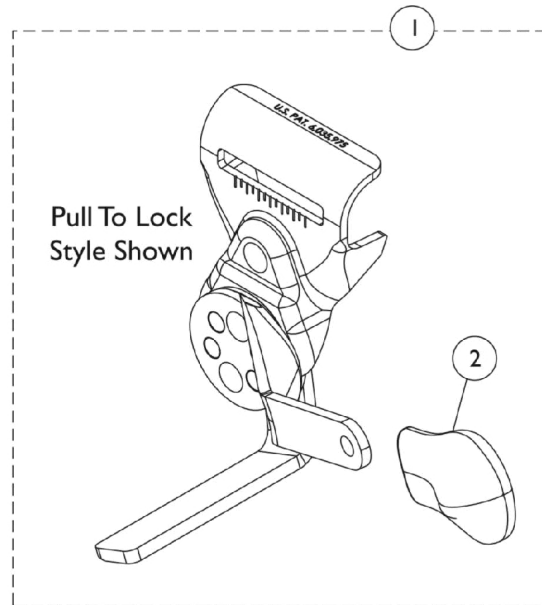
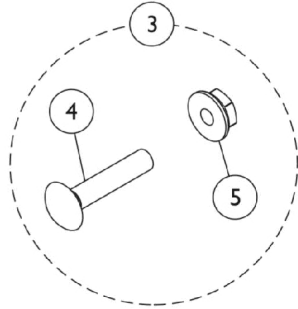


# Wheel Lock - Disk Style - Between 8/15/03 - 8/31/05



## Wheel Lock - Disk Style - Between 8/15/03 - 8/31/05

Item Number	Note	Part Number	Description	Quantity Per	
				Package	Assembly
1	C,C1	1110225-NLA	NLA - Wheel Lock Assembly, Disk Push to Lock, Black - Right	1	1
1	C,C1	1110226-NLA	NLA - Wheel Lock Assembly, Disk Push to Lock, Black - Left	1	1
1	C,C1	1110227-NLA	NLA - Wheel Lock Assembly, Disk Pull to Lock, Black - Right	1	1
1	C,C1	1110228-NLA	NLA - Wheel Lock Assembly, Disk Pull to Lock, Black - Left	1	1
2		1110160-NLA	NLA - Tip, Plastic Wheel Lock Handle, Black	1	1
3	A	1017677	Kit, Hardware, Wheel Lock (Pair)	1	1
4			Bolt, Carriage (1/4-20 x 1-1/4")	1	2
5			Nut, Hex Flang (1/4-20)	1	2
	B	1038599	Wheel Lock Extension Handle Assembly, Black (6") (Pair)	2	1
	D	1101452	Wheel Lock Assembly, Push to Lock, Black - Right	1	1
	D	1101453	Wheel Lock Assembly, Push to Lock, Black - Left	1	1
	D	1101454	Wheel Lock Assembly, Pull to Lock, Black - Right	1	1
	D	1101455	Wheel Lock Assembly, Pull to Lock, Black - Left	1	1

NOTE: A - Includes items 3-4.  
B - Not shown. Use for Disk-Style Wheel Locks.  
C - Disk Style Wheel Locks are no longer available as a Service Part. Must convert to a Link-Pivot Style Wheel Lock. Order the Right and Left side to match. Use part #'s 1101452 and 1101453 (Push to Lock) or 1101454 and 1101455 (Pull to Lock) listed.  
C1 - Can use existing attaching hardware. Additional Link-Pivot Style Wheel Lock information can be found under category titled "Wheel Locks - Link-Pivot Style - Color Chairs (Before 9/1/05)".  
D - No Shown. Link-Pivot Style Wheel Lock.