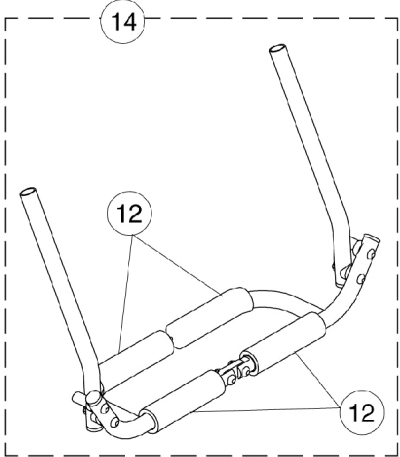
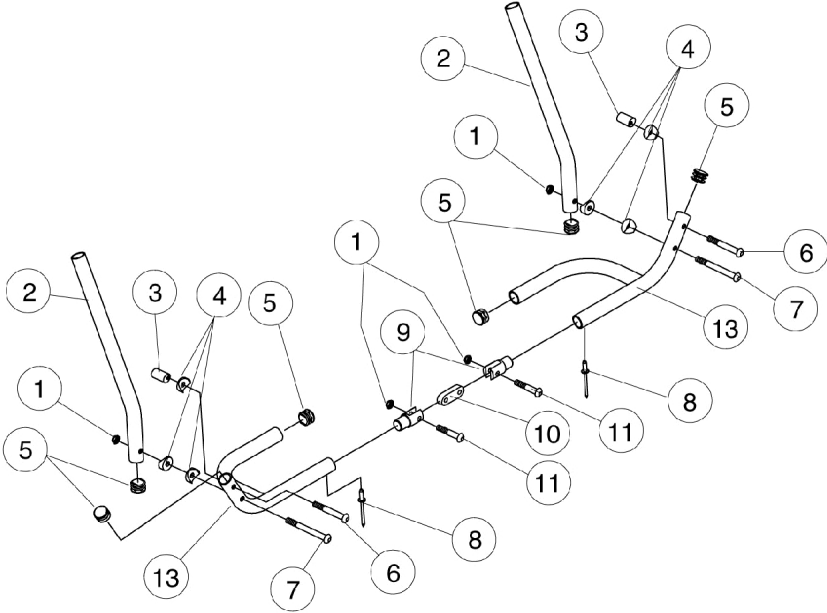


Folding Footrest



Folding Footrest

Item Number	Note	Part Number	Description	Quantity Per	
				Package	Assembly
1		1025195	Locknut (1/4-20)	1	1
2		1025748-NLA	NLA - Tube, Slide, 60 Degree, Black	1	2
2		1039228-NLA	NLA - Tube, Slide, 80 Degree, Black	1	2
3		1028417-NLA	NLA - Cam, Adjustment	1	2
4		1025457	Spacer, Coved (1/4 x 3/4 x 11/32")	1	6
5		1027097	Plug Button, Black (3/4")	1	6
6		1008495	Screw, Socket Button Head (1/4-20 x 1-1/2")	1	2
7		1002108-NLA	NLA - Screw, Socket Button Head (1/4-20 x 2")	1	2
8		16348X000-NLA	NLA - Rivet (3/16 x 7/16")	1	2
9		1025749-NLA	NLA - Pivot, Joint	1	2
10		1028418-NLA	NLA - Plate, Pivot	1	1
11		1009837	Screw, Socket Button Head (1/4-20 x 1")	1	2
12		See Chart	#12 Foam Pad	1	1
13		See Chart	#13 Tubular Footrest	1	1
14		See Chart	#14 Tubular Footrest Assembly	1	1

#12 Foam Pad

Pad Type	14" Wide	15" Wide	16" Wide	17" Wide	18" Wide	19" Wide	20" Wide
Closed End	1028433-NLA	1028432-NLA	1028431-NLA	1028430-NLA	1028429-NLA	1028428-NLA	1006229
Open End	1028440-NLA	1028439-NLA	1028438-NLA	1028437-NLA	1028436-NLA	1028435-NLA	1028434-NLA

#13 Tubular Footrest

Right/Left	14" Wide	15" Wide	16" Wide	17" Wide	18" Wide	19" Wide	20" Wide
Right	1025790-NLA	1025792-NLA	1025794-NLA	1025796-NLA	1025798-NLA	1025800-NLA	1025802-NLA
Left	1025791-NLA	1025793-NLA	1025795-NLA	1025797-NLA	1025799-NLA	1025801-NLA	1025803-NLA

#14 Tubular Footrest Assembly

Footrest Type	14" Wide	15" Wide	16" Wide	17" Wide	18" Wide	19" Wide	20" Wide
60 Degree	1030168-NLA	1030169-NLA	1030170-NLA	1030171-NLA	1030172-NLA	1030173-NLA	1030174-NLA
80 Degree	1040270-NLA	1040271-NLA	1040272-NLA	1040273-NLA	1040274-NLA	1040275-NLA	1040276-NLA

Folding Footrest
