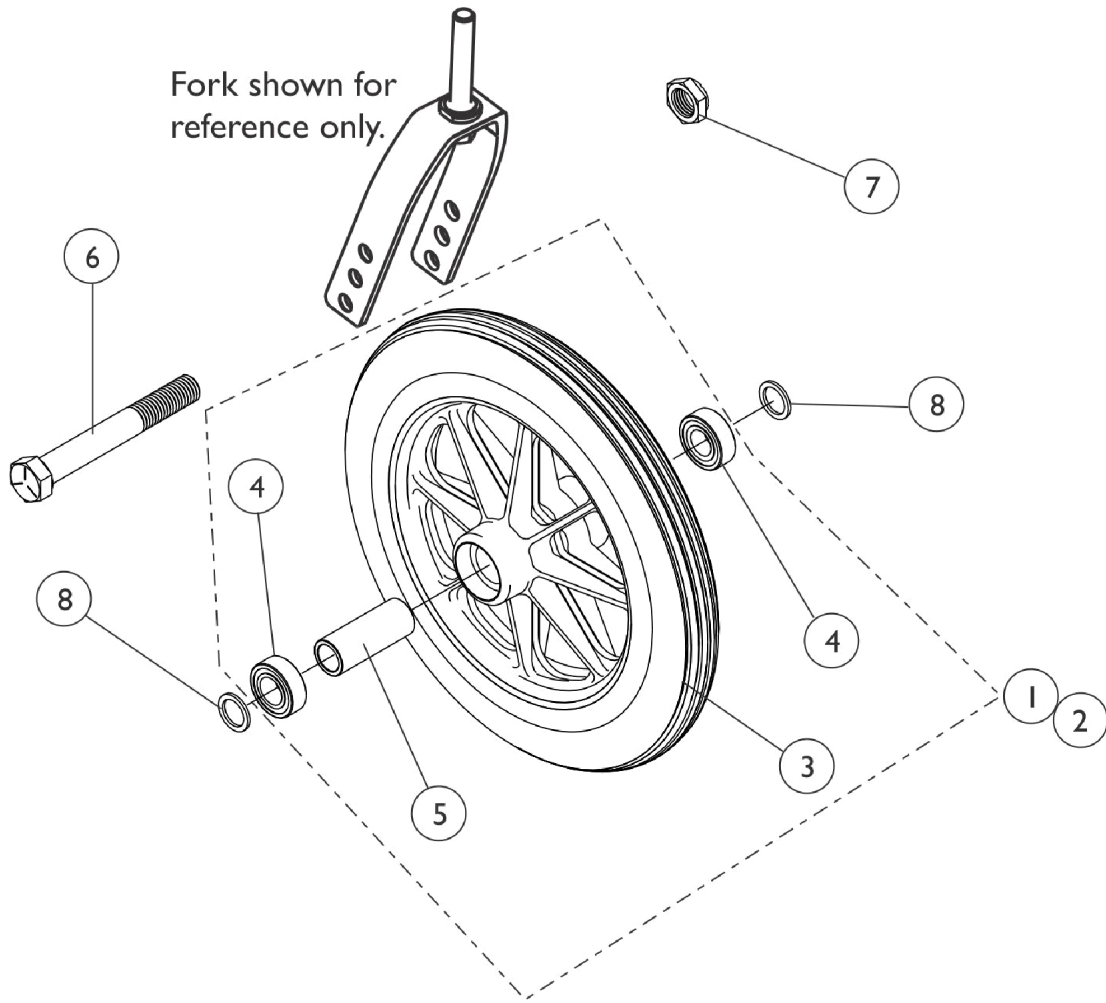


Casters and Mounting Hardware

NOTE: If your chair was built with a serial # starting with "03H" or "03I", please contact an Invacare Parts Specialist for replacement parts at 1-800-333-6900 Ext. 3722.



Casters and Mounting Hardware

NOTE: If your chair was built with a serial # starting with "03H" or "03I", please contact an Invacare Parts Specialist for replacement parts at 1-800-333-6900 Ext. 3722.

AT903, 1290 & 1228

| Item Number | Description | AT903 Composite Urethane (8 x 1-1/4") | 1290 Composite Charcoal Grey Solid Rubber (8 x 1") | 1228 Composite Semi-Pneumatic (8 x 1-3/4") |
|-------------|--------------------------|---------------------------------------|--|--|
| 1 | Wheel Assembly - 1 piece | 1058649 See Note(s) A | 1086841 See Note(s) A | 1070811 See Note(s) C, A |
| 2 | Wheel Assembly - 1 pair | N/A | 1086842 See Note(s) B | 1071666 See Note(s) C, E |
| 3 | Tire | 1038157 | 1075458 See Note(s) D | N/A |
| 4 | Bearing | 1040102 | 1006049 | 1006049 |
| 5 | Hub Spacer | 1020592 | 1018982 | 1020592 |
| 6 | Front Axle | 57667P007 | 57667P007 | 57667P007 |
| 7 | Locknut, Axle | 20225X000 | 20225X000 | 20225X000 |
| 8 | Washer, Axle | N/A | 1026101 | 1016032 |

NOTE: A - Includes Tire, Tube/Insert, Bearing and Spacer.
 B - Includes (2) Wheel Assemblies item #1 1086841, (2) Front Axles, (2) Locknuts and (4) Axle Washers.
 C - Required for 450lb weight capacity chair.
 D - Due to change in color effective 1/14/05, it is recommended that you order tires in pairs.
 E - Includes (2) ea. of item #11070811.