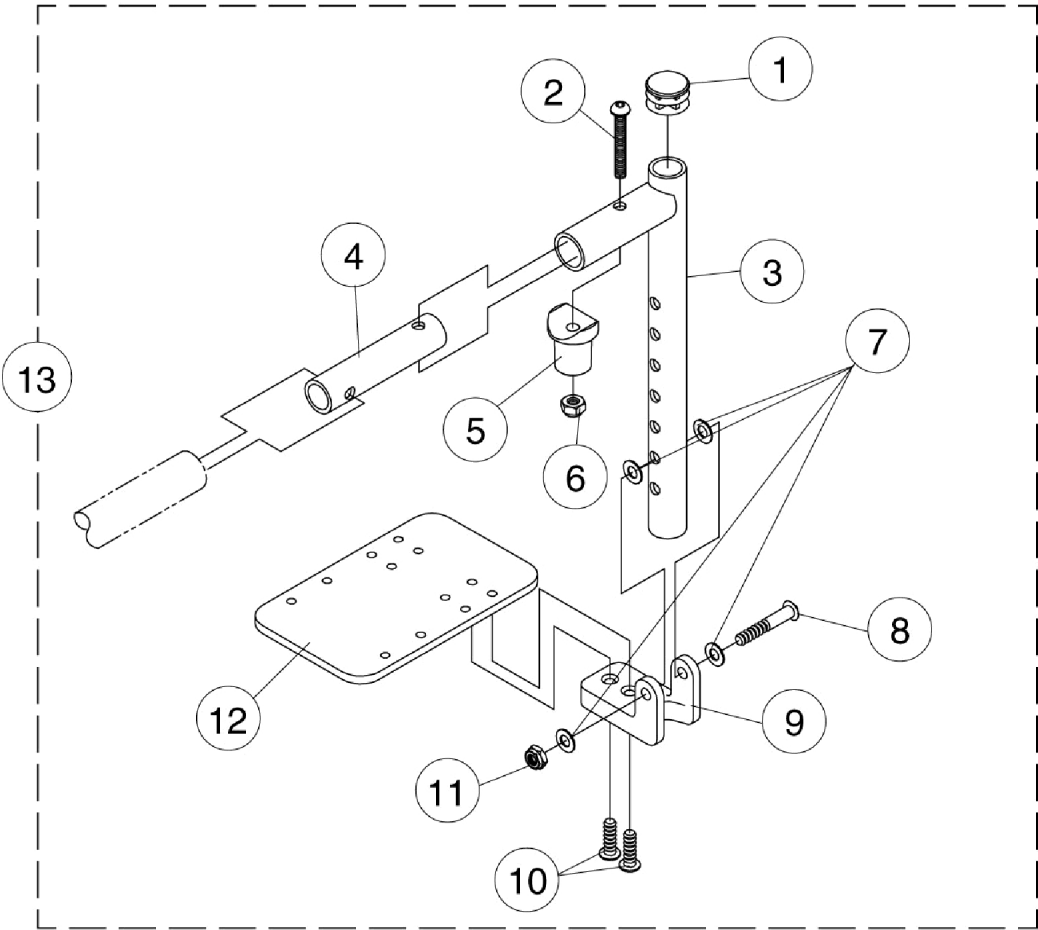


90 Degree Fixed Support Footrest Assembly - AT5043

Before 2/92



90 Degree Fixed Support Footrest Assembly - AT5043 Before 2/92

Item Number	Note	Part Number	Description	Quantity Per	
				Package	Assembly
1		1027097	Plug Button, Black (3/4")	1	1
2		1001762	Screw, Socket Button Head (1/4-20 x 1-3/4")	1	1
3	A	1018168-NLA	NLA - Tube, Support	1	1
4		1018166-NLA	NLA - Tube, Insert	1	1
5		1017148	Pivot, Footrest	1	1
6		1025736	Locknut (1/4-20)	1	1
7		1026152-NLA	NLA - Washer (1/4 x 5/8 x 1/32")	1	4
8		1023968-NLA	NLA - Screw, Socket Button Head (1/4-20 x 1-7/16")	1	1
9		1022817-NLA	NLA - Block, Hinge	1	1
10		1025716	Screw, Phillips Pan Head (#10-32 x 11/16")	1	2
11		1025195	Locknut (1/4-20)	1	1
12	B	1044078-NLA	NLA - Footplate, Black (3-1/4" W x 5-1/4" L) (10" W)	1	1
12	C	1044082-NLA	NLA - Footplate, Black (4-1/4" W x 5-1/4" L) (12" W)	1	1
13	A,B	8881026652-NL A	NLA - Footrest Assembly, 90 Degree Fixed Support w/ Flip-Up Footplate, Color - Right (10" W)	1	1
13	A,B	8881026653-NL A	NLA - Footrest Assembly, 90 Degree Fixed Support w/ Flip-Up Footplate, Color - Left (10" W)	1	1
13	A,C	8881026654-NL A	NLA - Footrest Assembly, 90 Degree Fixed Support w/ Flip-Up Footplate, Color - Right (12" W)	1	1
13	A,C	8881026655-NL A	NLA - Footrest Assembly, 90 Degree Fixed Support w/ Flip-Up Footplate, Color - Left (12" W)	1	1
NOTE: A - Specify frame finish when ordering. B - 10" Wide Chairs C - 12" Wide Chairs					