

# Nasal CPAP System Polaris/Polaris LT

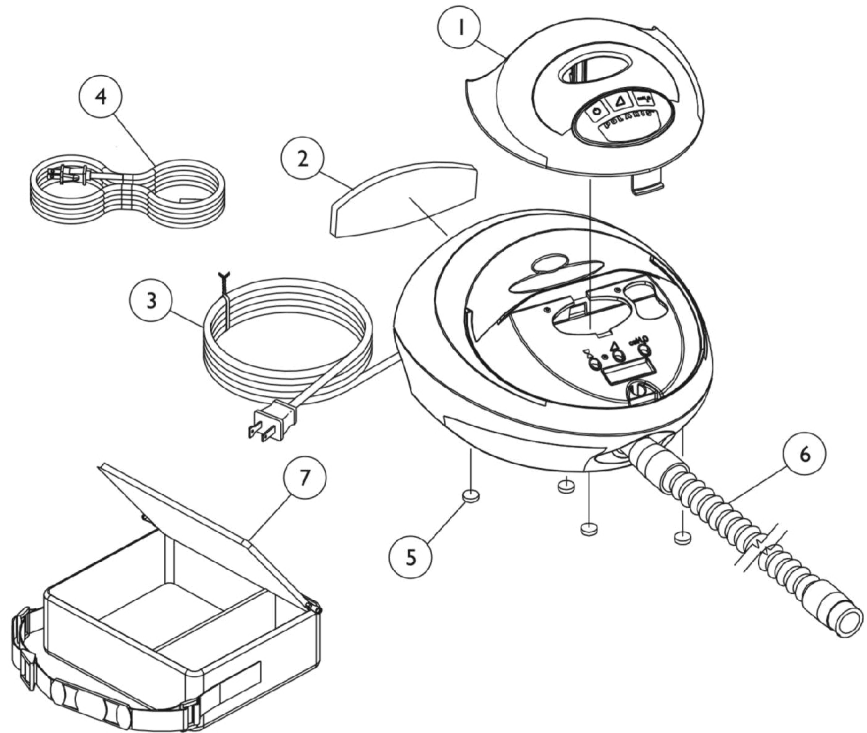
Model ISP9800 - Polaris (Shown)  
Model ISP9900 - Polaris LT  
Model ISP9900AW

## Mask and Headgear Models

ISP9800MKS  
ISP9800MKL

ISP9900MKS  
ISP9900MKL

ISP9800IQ  
ISP9900IQ  
ISP9900AWIQ



## Nasal CPAP System Polaris/Polaris LT

Item Number	Note	Part Number	Description	Quantity Per	
				Package	Assembly
1	F	1082994-NLA	NLA - Cover with Lens, ISP9800 - Top	1	1
	A,G	1082429-NLA	NLA - Kit, Shroud, Polaris	1	1
1		1094568-NLA	NLA - Cover with Lens, ISP9900 - Top	1	1
2		1082995-NLA	NLA - Filter, Pack	3	1
	A,H	1082428-NLA	NLA - Filter, Fine	3	1
3	C	2001831-NLA	NLA - Cord, AC Power, 3 Prong	1	1
4	A,D	1104153	Cord, AC Power, 2 Prong	1	1
5		2002930-NLA	NLA - Bumper Feet, Rubber	4	1
6		1085420-NLA	NLA - Tube with Cuff, Smooth Bore, Clear, Packaged (6 FT. L)	1	1
	A,B	1100553-NLA	NLA - Tubing, Smooth Bore w/Cuff (12" L)	1	1
7	E	1119677-NLA	NLA - Case, Carrying	1	1
	A	1075698-NLA	NLA - Insert, Carton	1	1
	A	1075699-NLA	NLA - Carton	1	2
	A	1075696-NLA	NLA - Owner's Manual	1	1
	A	1082997-NLA	NLA - Instructions, System Set-Up	1	1
	A	1082999-NLA	NLA - Fuses, T (500MA)	2	1
	A	ISP9800IQ-NLA	NLA - ISP9800 with IQ50106H Mask Assembly	1	1
	A	ISP9900IQ-NLA	NLA - ISP9900 with IQ50106H Mask Assembly	1	1

NOTE: A - Not Shown.  
 B - To be used with ISP9700-CPAP Poseidon Humidifier.  
 C - Before 11/3/00.  
 D - After 11/2/00.  
 E - Use with 9900AW.  
 F - Individual item no longer available, refer to Part #1082429 Shroud Set with Lens for replacement.  
 G - Includes Top, Middle, Bottom Shrouds and Lens.  
 H - Filter is white in color and located on inside of unit.