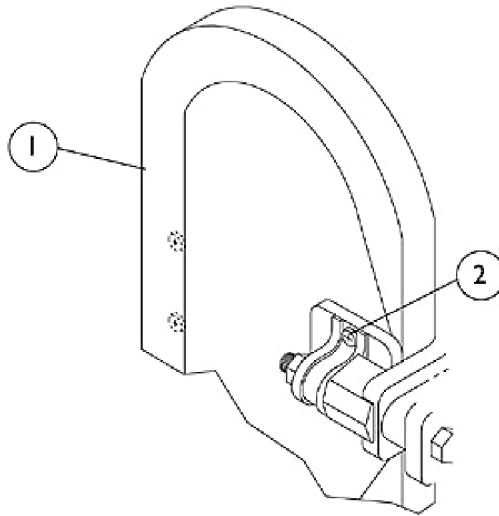


# Legrest Calf Pads



Item Number	Note	Part Number	Description	Quantity Per	
				Package	Assembly
1	A,B	8881102541	Pad, Legrest, Vinyl - Right/Left	1	1
1	A,C	88804530X003	Pad, Legrest, Vinyl - Right	1	1
1	A,C	88804530X004	Pad, Legrest, Vinyl - Left	1	1
1	A,D	88804529X003	Pad, Legrest, Vinyl - Right	1	1
1	A,D	88804529X004	Pad, Legrest, Vinyl - Left	1	1
1	A,E	8881091764	Pad, Legrest, Vinyl - Right/Left	1	1
2		1025716	Screw, Phillips Pan Head (#10-32 x 11/16")	1	2
NOTE: A - Specify U67 upholstery color when ordering. B - 10-11" Wide Chairs C - 12-13" Wide Chairs D - 14-15" Wide Chairs E - 16-18" Wide Chairs					