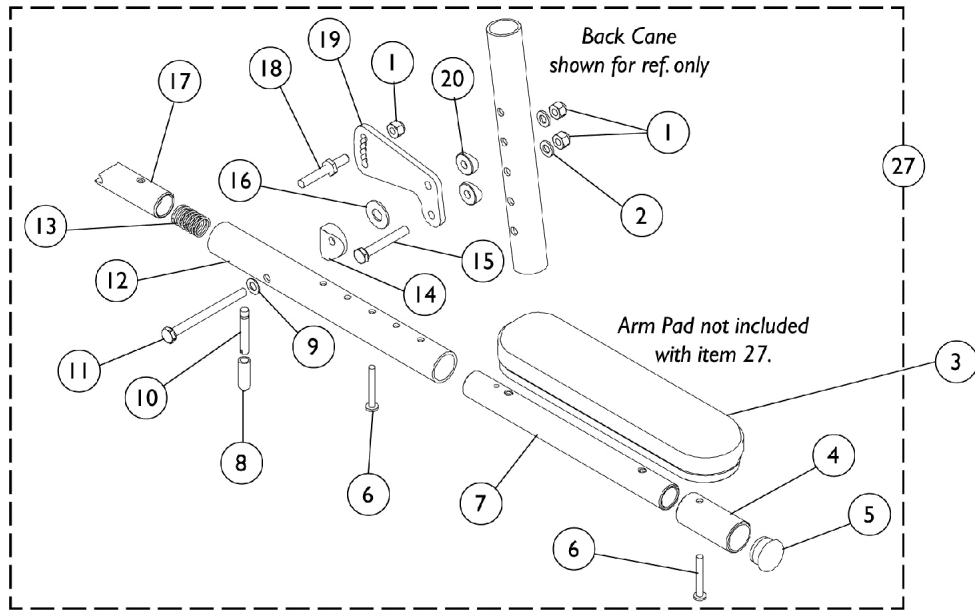
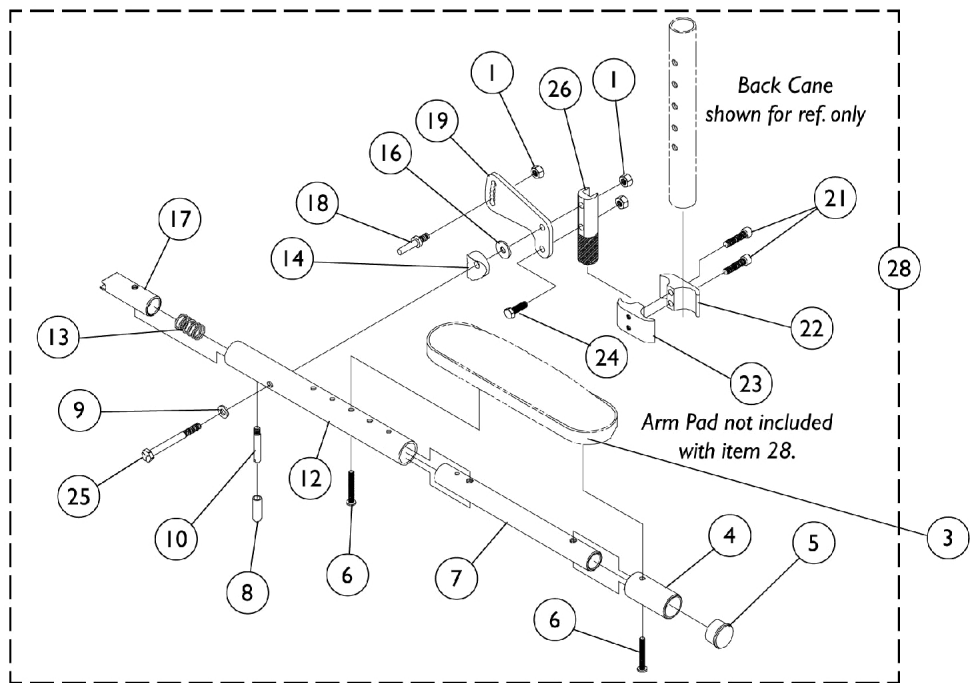


Cantilever Arms - AT55D & AT55F

Locking - Desk and Full Length



Bolt On Cantilever Arm without Arm Pads



Clamp On Cantilever Arm without Arm Pads

Cantilever Arms - AT55D & AT55F

Locking - Desk and Full Length

Item Number	Note	Part Number	Description	Quantity Per	
				Package	Assembly
1		1065362	Locknut (1/4-28)	1	3
2		1026907	Washer (1/4 x 1/2 x 1/16")	1	2
3	A	8881053578	Kit, Arm Pad w/ Screws, Desk Length (9" L x 2" W) (Pair)	2	1
3	A	8881053577	Kit, Arm Pad w/ Screws, Full Length (14" L x 2" W) (Pair)	2	1
4		1042598	Tube, Arm, Extension, Black	1	1
5		1056328	Plug Button, Black (1")	1	1
6		1026107	Screw, Phillips Pan Head (#10-32 x 1-3/8")	1	2
7		1068600	Tube, Slide, Cantilever Arm, Black	1	1
8		1059271	Tip, Plastic, Black	1	1
9		1026103	Washer, Nylon (1/4 x 1/2 x 1/32")	1	1
10		1058545	Lever, Actuator	1	1
11		1059374	Screw, Hex Head (1/4-28 x 3")	1	1
12		1068588	Tube, Arm, Black	1	1
13		1011511	Spring, Compression (5/8 x 1 x 3/64")	1	1
14		40157X020	Spacer, Coved (1/4 x 1 x 9/16")	1	1
15		1055348	Screw, Hex Head (1/4-28 x 1-3/4")	1	1
16		1012371	Washer, Nylon (3/8 x 7/8 x 1/16")	1	1
17		1058232	Plug, Latch	1	1
18		1058231-NLA	NLA - Pin, Locking	1	1
19		1058542	Bracket, Armrest Mounting, Black	1	1
20		1026099	Spacer, Coved (1/4 x 11/16 x 1/2")	1	2
21		1153853	Screw, Socket Head (1/4-20 x 1")	1	2
22	E	1013970-NLA	NLA - Lockwasher, High Collar (1/4")	1	2
23		1043711	Clamp, Half, Non-Threaded	1	1
24		1043712	Clamp, Half, Threaded	1	1
25		1055346-NLA	NLA - Screw, Hex Head (1/4-28 x 3/4")	1	1
26		1055349	Screw, Hex Head (1/4-28 x 2")	1	1
27	B,C	1062787	Arm Support, Clamp On	1	1
27	B,C	1068654	Kit, Cantilever Arm, Bolt On - Right	1	1
27	B,C	1068655	Kit, Cantilever Arm, Bolt On - Left	1	1
28	B,D	1068656	Arm Assembly, Cantilever - Right	1	1
1			Locknut (1/4-28)	1	3
4			Tube, Arm, Extension, Black	1	1
5			Plug Button, Black (1")	1	1
6			Screw, Phillips Pan Head (#10-32 x 1-3/8")	1	2
7			Tube, Slide, Cantilever Arm, Black	1	1
8			Tip, Plastic, Black	1	1
9			Washer, Nylon (1/4 x 1/2 x 1/32")	1	1
10			Lever, Actuator	1	1
12			Tube, Arm, Black	1	1
13			Spring, Compression (5/8 x 1 x 3/64")	1	1
14			Spacer, Coved (1/4 x 1 x 9/16")	1	1
16			Washer, Nylon (3/8 x 7/8 x 1/16")	1	1
17			Plug, Latch	1	1

Cantilever Arms - AT55D & AT55F

Locking - Desk and Full Length

Item Number	Note	Part Number	Description	Quantity Per	
				Package	Assembly
18			NLA - Pin, Locking	1	1
19			Bracket, Armrest Mounting, Black	1	1
21			Screw, Socket Head (1/4-20 x 1")	1	2
			NLA - Lockwasher, High Collar (1/4")	1	2
22			Clamp, Half, Non-Threaded	1	1
23			Clamp, Half, Threaded	1	1
24			NLA - Screw, Hex Head (1/4-28 x 3/4")	1	1
25			Screw, Hex Head (1/4-28 x 2")	1	1
26			Arm Support, Clamp On	1	1
28	B,D	1068657	Arm Assembly, Cantilever - Left	1	1
1			Locknut (1/4-28)	1	3
4			Tube, Arm, Extension, Black	1	1
5			Plug Button, Black (1")	1	1
6			Screw, Phillips Pan Head (#10-32 x 1-3/8")	1	2
7			Tube, Slide, Cantilever Arm, Black	1	1
8			Tip, Plastic, Black	1	1
9			Washer, Nylon (1/4 x 1/2 x 1/32")	1	1
10			Lever, Actuator	1	1
12			Tube, Arm, Black	1	1
13			Spring, Compression (5/8 x 1 x 3/64")	1	1
14			Spacer, Coved (1/4 x 1 x 9/16")	1	1
16			Washer, Nylon (3/8 x 7/8 x 1/16")	1	1
17			Plug, Latch	1	1
18			NLA - Pin, Locking	1	1
19			Bracket, Armrest Mounting, Black	1	1
21			Screw, Socket Head (1/4-20 x 1")	1	2
			NLA - Lockwasher, High Collar (1/4")	1	2
22			Clamp, Half, Non-Threaded	1	1
23			Clamp, Half, Threaded	1	1
24			NLA - Screw, Hex Head (1/4-28 x 3/4")	1	1
25			Screw, Hex Head (1/4-28 x 2")	1	1
26			Arm Support, Clamp On	1	1

NOTE: A - Specify upholstery color U67 Black when ordering.
B - Arms do not include Arm Pads, they must be ordered separately.
C - Includes items 1,2,4-20
D - Includes items 1,4-10,12-14,16-19, and 21-26
E - Not Shown.