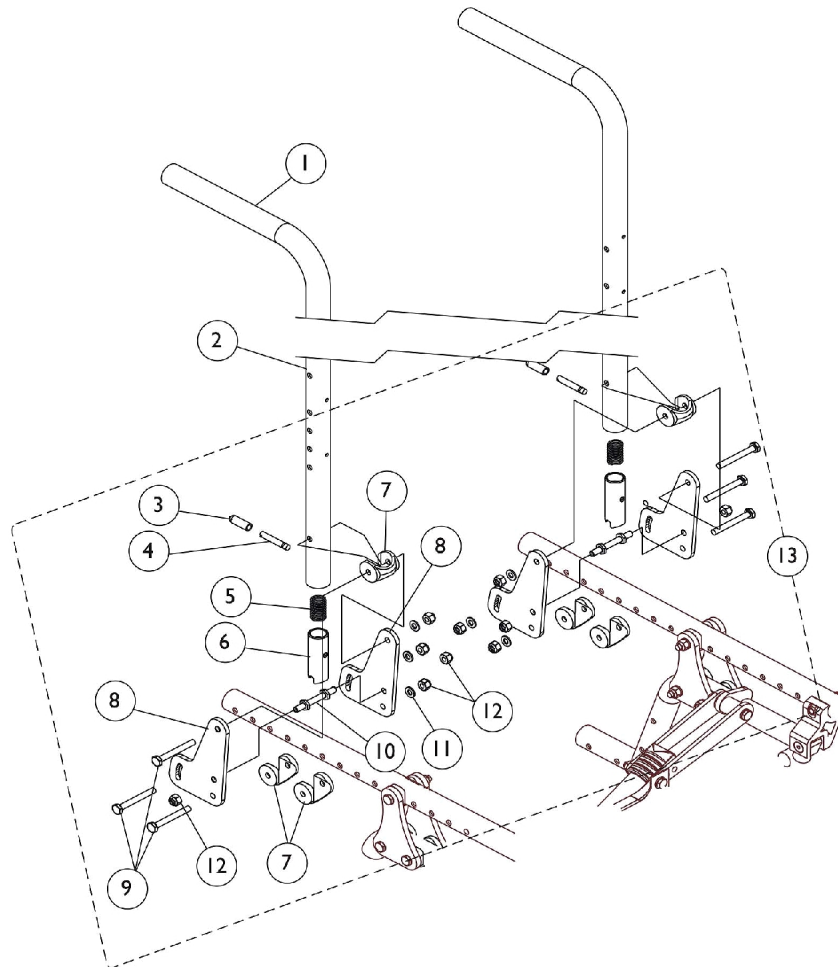
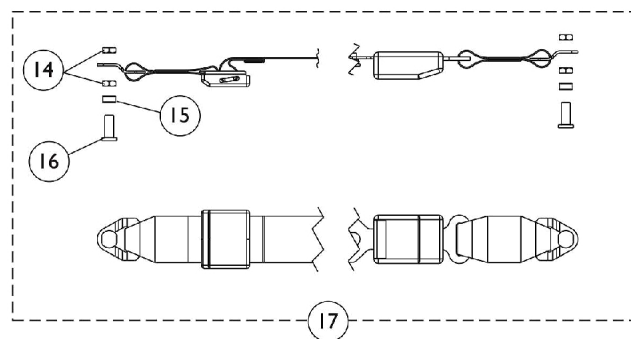


Back Canes, Hardware, and Pelvic Positioning Strap

Transport Ready Chairs requiring Backrest Hardware parts must be returned to Invacare for service.



Non Transport Ready Chairs



Pelvic Positioning Strap

Back Canes, Hardware, and Pelvic Positioning Strap

Transport Ready Chairs requiring Backrest Hardware parts must be returned to Invacare for service.

Item Number	Note	Part Number	Description	Quantity Per	
				Package	Assembly
1		1055398	Grip, Hand, Foam (4")	1	1
2		1118592	Back Cane Assembly, Black - Right/Left (20" H)	1	1
2		1118593	Back Cane Assembly, Black - Right/Left (24" H)	1	1
3		1059271	Tip, Plastic, Black	1	2
4		1058545	Lever, Actuator	1	2
5		1011511	Spring, Compression (5/8 x 1 x 3/64")	1	2
6		1058232	Plug, Latch	1	2
7		1118469	Uni-Washer, Coved	1	6
8		1118474	Plate, Back Angle	1	2
9		1055349	Screw, Hex Head (1/4-28 x 2")	1	6
10		1059127	Pin, Locking	1	2
11		1026907	Washer (1/4 x 1/2 x 1/16")	1	6
12		1065362	Locknut (1/4-28)	1	10
13	A	1118550	Hardware, Backrest, Non Transport Ready (Both Sides)	2	1
14		1118579-NLA	NLA - Nut, Hex Jam (3/8-16)	1	4
15		1118568-NLA	NLA - Bushing, Nylon (5/16 x 7/16 x 5/32")	1	2
16		1118569-NLA	NLA - Pin, Threaded	1	2
17	B	1118580-NLA	NLA - Pelvic Positioning Strap w/ Hardware (37" Long)	1	1

NOTE: A - Includes items 3-12
B - Includes Positioning Strap plus items 14-16