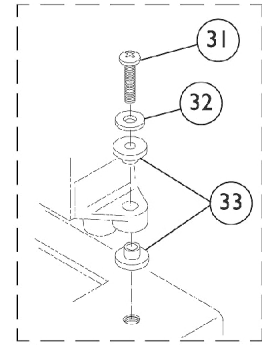
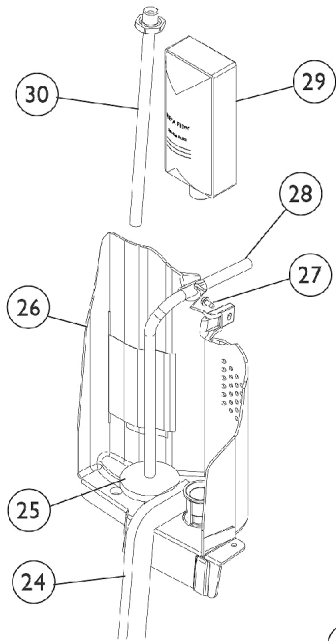
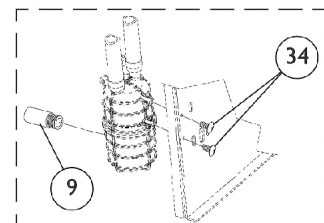
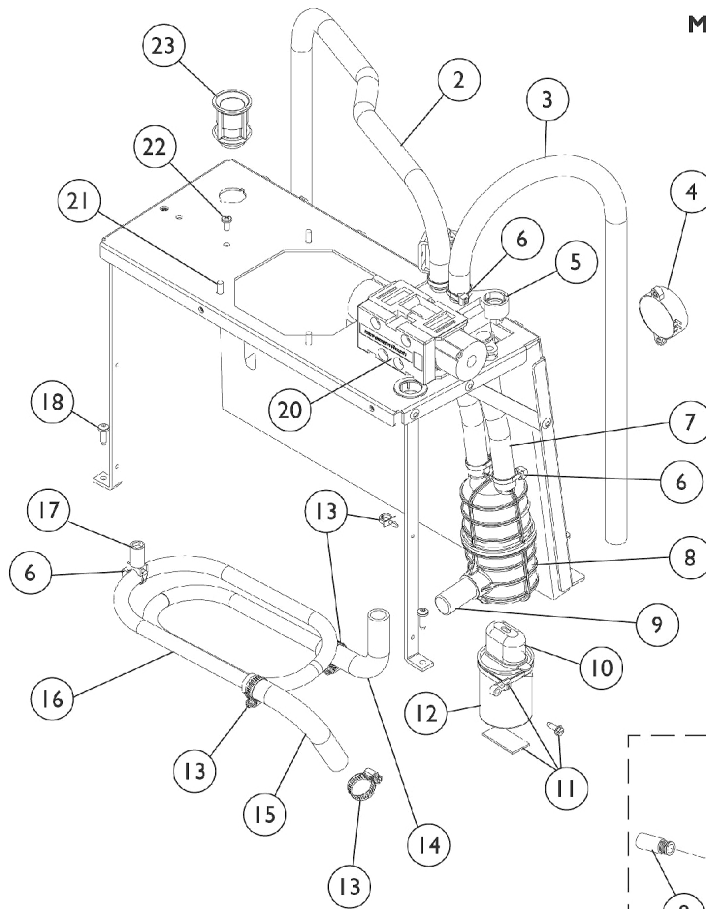


Sound Box Assembly

Platinum 5 Models



**Manifold
Mounting Hardware**



Muller Mounting Hardware

Sound Box Assembly Platinum 5 Models

Item Number	Note	Part Number	Description	Quantity Per	
				Package	Assembly
1	J	See Note	See Footnote	1	1
2		1108783	Tubing, Braided (1/2 x 23")	1	1
3		1108784	Tubing, Braided (1/2 x 20-1/4")	1	1
4		2001765	Harness, Horn/Alarm	1	1
5	A,B	1108085	Manifold/Valve Assembly	1	1
6		2001682	Tie Wrap (8" L)	1	5
7		1110848-NLA	NLA - Tubing, Braided (1/2 x 6-3/16")	1	2
8		1085872-NLA	NLA - Muffler Assembly	1	1
9		2001116	Uni-Muffler	1	1
10		P0875X560-NLA	NLA - Boot, Terminal	1	1
11	C	1110776-NLA	NLA - Capacitor Mounting Hardware	1	1
12		1068698-NLA	NLA - Tech Only - Capacitor, 15 MFD	1	1
13		P0876X026	Clamp, Hose	1	5
14		1108822	Elbow, PVC Formed (1/2 x 2-1/2 x 2-1/2")	1	1
15	G	1106698-NLA	NLA - Elbow, Silicon (1/2 x 3-1/2")	1	1
16	G	1107422-NLA	NLA - Exchanger, Heat	1	1
	E,H	1108817	Heat Exchanger Assembly	1	1
17		1110780-NLA	NLA - Stand-Off, Heat Exchanger	1	1
18		1108810	Screw, Hi-Lo Six Lobe Drive (#10-16 x 5/8")	1	7
19		1108086-NLA	NLA - Tubing (1/2 x 19")	1	1
19		1112561	Tube, Compressor	1	1
20		1101141	Kit, 4-Way Valve w/ Screws	1	1
	E	1101141R	Valve, Reconditioned	1	1
	E	1101141E-NLA	Kit, Valve - Warranty Replacement	1	1
			Valve, Reconditioned	1	1
			Gasket	1	1
			Screw, Socket Head (M5 x .8 x 2mm)	1	4
21		1110852	Screw, Slotted Hex Washer Head (#10-24 x 1/2")	1	4
22		1003363-NLA	NLA - Screw, Phillips Pan Head (#8-32 x 3/8")	1	1
22		1128404	Screw, Phillips Hex Washer Head (#8-32 x 3/8")	1	1
23		1106675	Coupling, Inlet Filter	1	1
24		2000812	Seal, Foam	1	2
25	F	P0750X030	Filter, Patient HEPA Outlet	1	1
26		1110777-NLA	NLA - Partition	1	1
26		1115183	Partition Assembly	1	1
27		2003065-NLA	NLA - Screw, Phillips Hex Washer Head (#8-32 x 3/8")	1	1
27		1128404	Screw, Phillips Hex Washer Head (#8-32 x 3/8")	1	1
28		1108815-NLA	NLA - Tubing, Silicon (1/4 x 16-1/4")	1	1
29	D	1108078-NLA	NLA - Filter, Inlet	1	1
29		1131249	Filter, Inlet Sound Reduced	1	1
30		1110768-NLA	NLA - Tech Only - Adaptor, Humidifier Bottle	1	1
30		2000799	Adapter with Tubing for Humidifier Bottle	1	1
31		1090138-NLA	NLA - Screw, Phillips Pan Head (#8-32 x 3/4")	1	2
32		P0870X490	Washer, Flat (#8)	1	2
33		2001815	Bushing, Step (1/2")	1	4

Sound Box Assembly Platinum 5 Models

Item Number	Note	Part Number	Description	Quantity Per	
				Package	Assembly
34	E	1087225-NLA	NLA - Screw, Phillips Pan Head (#10-16 x 1/2")	1	2
		2003052	Valve, Operator Pilot	1	1
<p>NOTE: A - Manifold is not available as a separate item. Must order item 5, Manifold/Valve Assembly. B - Includes Items 2-3, 6-8, 13, 14 and 20. C - Includes Screw, Tie Wraps and Foam Tape. D - Item no longer available, refer to Part #1131249. E - Not Shown. F - After 7/19/06 the Hepa Filter was moved to the inside of cabinet, located between the Flow Meter and the Patient Outlet Barb. See "Control Panel and P.C. - Plat. 5 " category to view reflective changes. G - Item no longer available, use Item 1108817 as its replacement. H - Includes Heat Exchanger, Standoff, and Tie Wrap. J - Part number is no longer serviceable in the field.</p>					