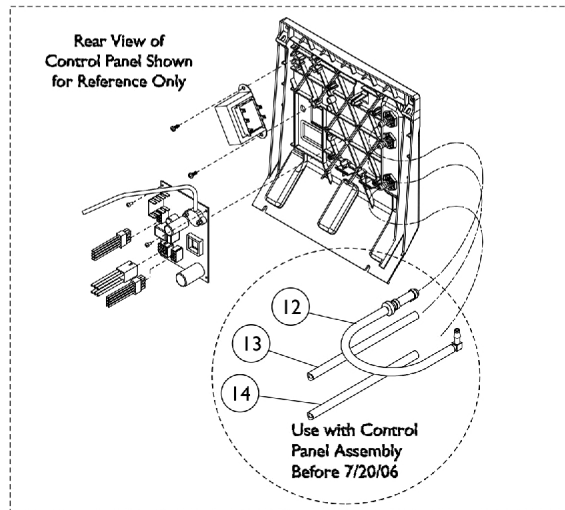
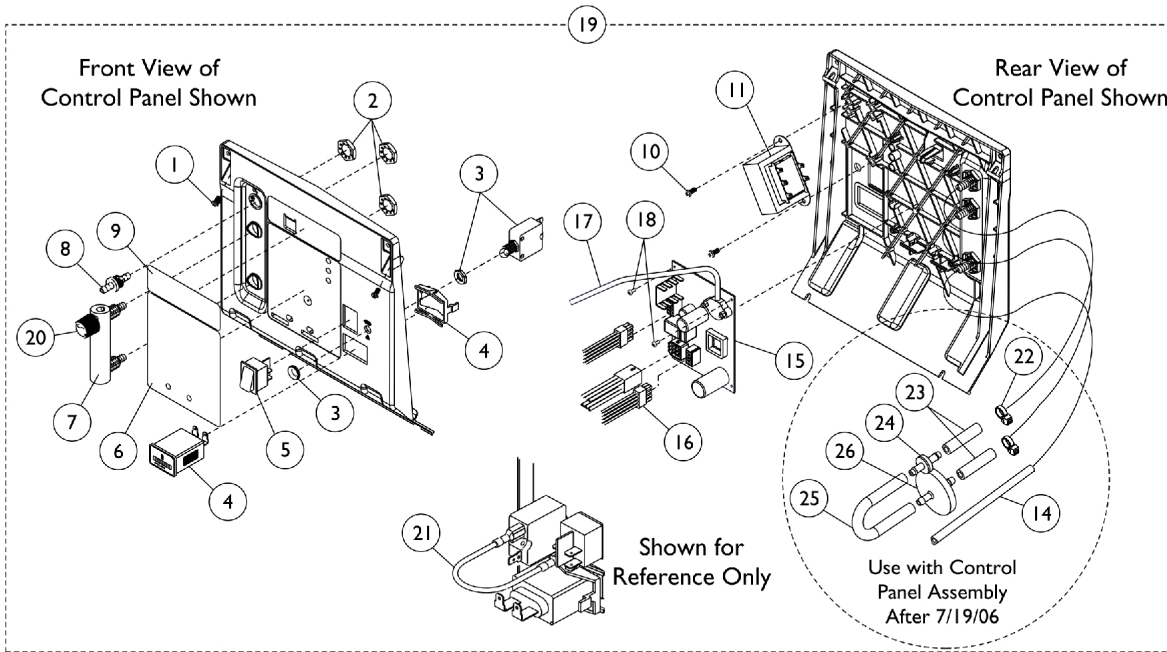
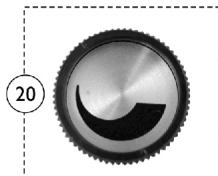


Control Panel and PC Board Platinum 5 Models

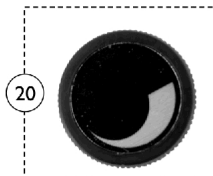


1128379



Used with Flowmeters that have an Indented Phillips Head Screw on top.

1128370



Used with Flowmeters that have a Slotted Head Screw on top.

Control Panel and PC Board Platinum 5 Models

Item Number	Note	Part Number	Description	Quantity Per	
				Package	Assembly
1		2003065-NLA	NLA - Screw, Phillips Hex Washer Head (#8-32 x 3/8")	1	2
1		1128404	Screw, Phillips Hex Washer Head (#8-32 x 3/8")	1	2
2		2000507	Palnut (9/16-18)	1	3
3		1110824-NLA	NLA - Tech Only - Circuit Breaker (4 AMP)	1	1
4		2002939-NLA	NLA - Tech Only - Hour Meter Assembly with Clip	1	1
5		2001134	Switch, On/Off	1	1
6		1110835	Decal, Control Panel - IRC5LX	1	1
6		1110830	Decal, Control Panel - IRC5LX02	1	1
7		1110823-NLA	NLA - Meter, Flow (0-5 LPM)	1	1
7		1110561	Flowmeter without Palnuts - 5 Liter	1	1
8		2000473	Connector, Barbed (1/4")	1	1
9	J	See Note	See Footnote	1	1
10		1102696	Screw, Phillips Pan Head SEMS (#8-32 x 3/8")	1	2
11	H	1105385-NLA	NLA - Tech Only - Transformer	1	1
	I	1105391-NLA	NLA - Transformer Kit	1	1
12	A,G	1110779-NLA	NLA - Tubing Assembly, Check Valve Discharge	1	1
13	G	1108815-NLA	NLA - Tubing, Silicon (1/4 x 16-1/4")	1	1
14		1108809	Tubing, PVC (1/4 x 12-3/4")	1	1
15	B	1069477-NLA	NLA - P.C. Board (IRC5LX)	1	1
15		1079446	P.C. Board (IRC5LX02)	1	1
16		1110815	Harness, Wire, 10 Pin	1	1
17		1076275	Tubing, Tygon (1/8 x 18")	1	1
18		2001902-NLA	NLA - Screw, Phillips Pan Head (#4-40 x 1/4")	1	2
19		1110836-NLA	NLA - Control Panel (IRC5LX) Assembly	1	1
19		1110831-NLA	NLA - Control Panel (IRC5LX02) Assembly	1	1
20	D	1128379-NLA	NLA - Package, Knob, Flowmeter, Silver w/ Black Swish (Pkg. of 10)	10	1
20	C	1128380	Package, Knob, Flowmeter, Black w/ Silver Swish	10	1
21		2001764	Jumper Wire Assembly	1	1
22	E,F	2001682	Tie Wrap (8" L)	1	2
23	E,F	1110473	Tubing, PVC (1/4 x 1-3/4")	1	2
24	E,F	2000436	Check Valve, Barb (5/16")	1	1
25	E,F	1143144	Tubing, PVC (1/4 x 5")	1	1
26	E,F	P0750X030	Filter, Patient HEPA Outlet	1	1

NOTE: A - Includes (2 each) Tubing, Check Valve, Elbow and Tie Wrap.
 B - Includes Item 17.
 C - Knob is black with silver "swish". Used on Flowmeters with a Slotted Head Screw on top.
 D - Knob is silver with black "swish". Used on Flowmeters with an Indented Phillips Head Screw on top.
 E - "After 7/19/06" the location of the HEPA Filter has changed. The HEPA Filter is now located inside the cabinet.
 F - For use with Control Panel Assembly "After 7/19/06."
 G - For use with Control Panel Assembly "Before 7/20/06."
 H - Individual item no longer available, refer to Transformer Kit Part #1105391 for replacement.
 I - Includes Transformer, Nuts and Insulator.
 J - No longer available as a service part in the field.