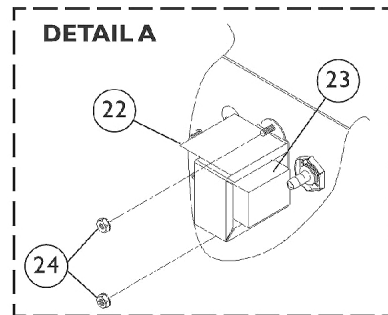
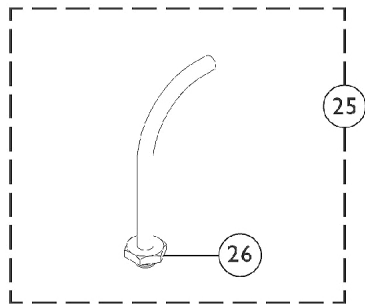
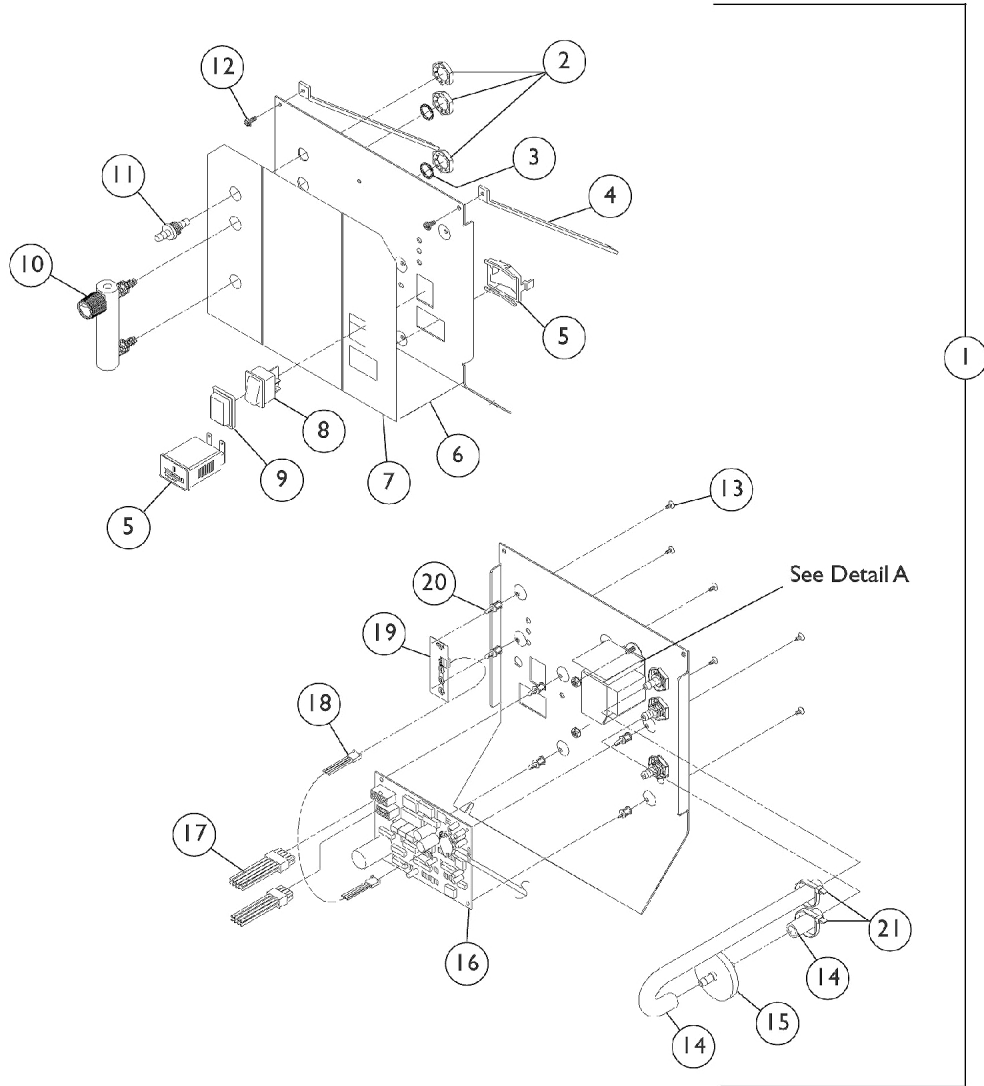


Control Panel and PC Board

Non Platinum 5 Models



Control Panel and PC Board Non Platinum 5 Models

Item Number	Note	Part Number	Description	Quantity Per	
				Package	Assembly
1	A	1102874-NLA	NLA - Control Panel (IRC5LX) Assembly	1	1
1	B	1102875-NLA	NLA - Control Panel Assembly (IRC5LXO2) Assembly	1	1
2		2000507	Palnut (9/16-18)	1	3
3		2001139	O-Ring (1/2" I.D.)	1	2
4		2000464-NLA	NLA - Support, Control Panel	1	2
5		2002939-NLA	NLA - Tech Only - Hour Meter Assembly with Clip	1	1
6		2002811-NLA	NLA - Panel, Control	1	1
7	C	1081282	Label, English - IRC5LX	1	1
7	C	1081283-NLA	NLA - Label, English - IRC5LXO2AW	1	1
7	C	1071428	Label, Spanish - IRC5LX	1	1
7	C	1071430	Label, Spanish - IRC5LXO2	1	1
7	C	1079322	Label, Brazilian Portuguese - IRC5LX	1	1
7	C	1079323	Label, Brazilian Portuguese - IRC5LXO2	1	1
7	D	1102877	Label, Control Panel, Logo	1	1
7	D	1102876	Label, Control Panel, English - IRC5LX	1	1
7	D	1102878	Label, Control Panel, English - IRC5LXO2	1	1
7	D	1102921	Label, Control Panel, English - IRC5LX	1	1
7	D	1102922	Label, Control Panel, Spanish - IRC5LXO2	1	1
7	D	1102923	Label, Control Panel, Brazilian Portuguese - IRC5LX	1	1
7	D	1102924	Label, Control Panel, Brazilian Portuguese - IRC5LXO2	1	1
8		2002875-NLA	NLA - Switch, On/Off	1	1
9		2001141-NLA	NLA - Seal, Switch	1	1
10	E	2002839-NLA	NLA - Meter, Flow (0-5 LPM)	1	1
	G	1071275-NLA	NLA - Kit, Set-Up Pediatric Flowmeter	1	1
			Tubing, Oxygen Supply (21' L)	1	1
			Tubing, Oxygen Supply (7' L)	1	2
			NLA - Connector, Tubing	1	1
			Adapter, Humidifier Bottle	1	1
			Instruction Manual, Pediatric Flowmeter IRCPF16	1	1
11		2000473	Connector, Barbed (1/4")	1	1
12		2003065-NLA	NLA - Screw, Phillips Hex Washer Head (#8-32 x 3/8")	1	2
12		1128404	Screw, Phillips Hex Washer Head (#8-32 x 3/8")	1	2
13		1028794-NLA	NLA - Screw, Phillips Truss Head Tap (#6 x 1/4")	1	6
14		2000897	Tubing, Tygon (1/4 x 24")	1	1
15		P0750X030	Filter, Patient HEPA Outlet	1	1
16		1069477-NLA	NLA - P.C. Board (IRC5LX)	1	1
16		1079446	P.C. Board (IRC5LXO2)	1	1
17		2002577-NLA	NLA - Harness, Wiring (24V)	1	1
18		2001762-NLA	NLA - Harness, Wire-Sensor - IRC5LXO2	1	1
19		1061773-NLA	NLA - Remote LED Assembly, Sens O2 - IRC5LXO2	1	1
20		1036162	Stand-Off, P.C. Board	1	6
21		2001682	Tie Wrap (8" L)	1	2

Control Panel and PC Board Non Platinum 5 Models

Item Number	Note	Part Number	Description	Quantity Per	
				Package	Assembly
22	F	2002553-NLA	NLA - Insulator, Transformer	1	1
23		1105391-NLA	NLA - Transformer Kit	1	1
24		P0870X050-NLA	NLA - Nut, Keps (#6-32)	1	2
25		2000799	Adapter with Tubing for Humidifier Bottle	1	1
26		2000503	Adapter, Humidifier Bottle	1	1
NOTE: A - Includes items 2-17 and 20-24. B - Includes items 2-24. C - Before 6/28/01. D - After 6/27/01. E - Includes Item 2. F - Includes Insulator and Kep Nuts. G - Not Shown.					