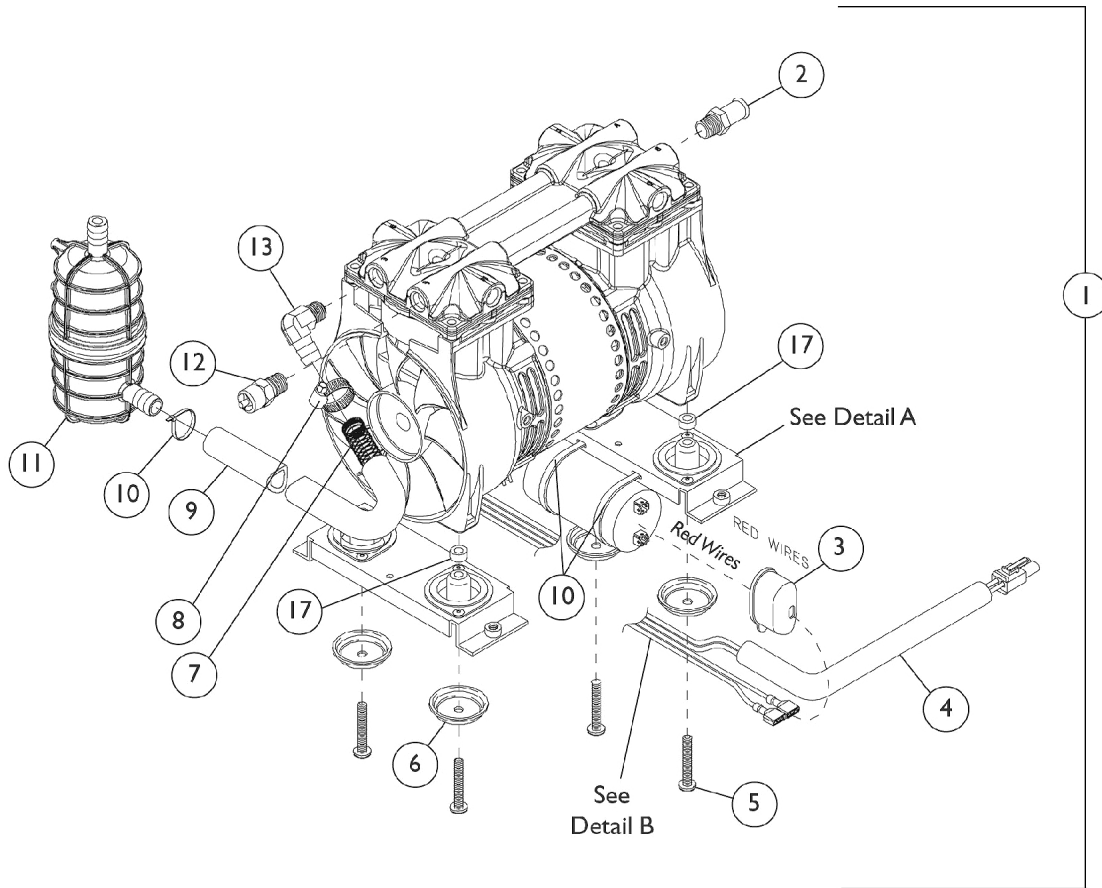
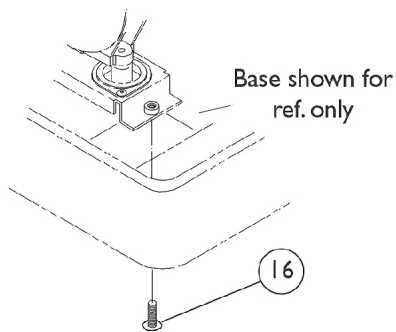


Compressor and Mounting Hardware

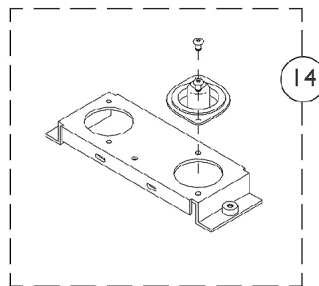
Non Platinum 5 Models



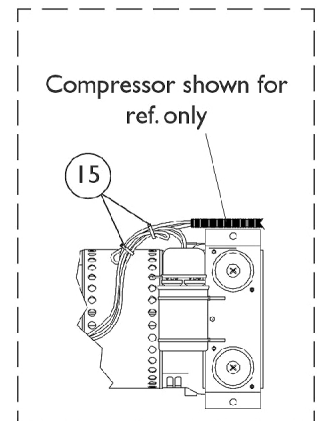
Compressor Mounting Hardware



DETAIL A



DETAIL B



Compressor and Mounting Hardware Non Platinum 5 Models

Item Number	Note	Part Number	Description	Quantity Per	
				Package	Assembly
1	A,B	1101717-NLA	NLA - Compressor Assembly	1	1
1	C,D,E	1108556-NLA	NLA - Compressor Assembly	1	1
	F	1108481-NLA	NLA - Kit, Compressor, Ground Wire/Harness	1	1
2		1086187-NLA	NLA - Hose, Barbed, Patch Lock (1/2 x 1/4" NPT)	1	1
3		P0875X560-NLA	NLA - Boot, Terminal	1	1
4		1083224-NLA	NLA - Loom, Slit (17/64" I.D. x 12" Long)	1	1
5		1068064-NLA	NLA - Screw, Phillips Pan Head (1/4-20 x 1-3/4")	1	4
6		2000876-NLA	NLA - Washer, Cup	1	1
7		1088316	Spring, Extension (7/16 x 9-3/4" L)	1	1
8		P0876X026	Clamp, Hose	1	1
9		2002264	Tubing, Reinforced Braided (1/2 x 26")	1	1
10		2001682	Tie Wrap (8" L)	1	3
11	G,K	1095537-NLA	NLA - Kit, Resonator Retro-Fit	1	1
			Resonator	1	1
			NLA - Screw, Phillips Pan Head (#10-16 x 1/2")	1	2
			NLA - Tubing, Silicon (1/2 x 5")	1	1
			Tube, Braided (10 x 1/2")	1	1
			Spring, Extension (7/16 x 9-3/4" L)	1	1
			Screw, Socket Button Head (1/4-20 x 3/8")	1	1
			NLA - Bracket, Mounting	1	1
			Clip, Flange	1	1
			Fitting, Elbow (1/2" Beaded Hose x 1/4" NPT)	1	1
			Tie Wrap (8" L)	1	1
			NLA - Instruction Sheet	1	1
11	H	1085873	Resonator	1	1
12		1085697-NLA	NLA - Relief Valve w/ Patch Lock, 35 PSIG	1	1
13	G	2001374-NLA	NLA - Fitting, Resonator	1	1
13	H	1108819	Fitting, Elbow (1/2" Beaded Hose x 1/4" NPT)	1	1
14	I,M	2000888-NLA	NLA - Mounting Bracket Assembly	1	2
15	N	1006525	Tie Wrap (3-29/32" L)	1	2
16		2001795	Package, Screw, Phillips Pan Head (1/4 X 1/2")	1	4
17	I,J,N	2002906-NLA	NLA - Spacer (1/4 x 1/2 x 7/32")	1	4

NOTE: A - Before 6/27/00.
 B - Includes Items 2-13 and Plastic Resonator Mounting Hardware.
 C - After 6/26/00.
 D - Includes Items 2-14.
 E - Units built before 4/10/00, Resonator Retro Fit Kit (#1095537) is required to make Compressor Assembly (#1080183) compatible with concentrator.
 F - Not Shown.
 G - Before 4/10/00.
 H - After 4/9/00.
 I - When ordering Bracket Assembly (#2000888) for 5LX02AW units built prior to 4/27/00, order Spacer (#2002906). After 4/26/00, Spacer was added as a product improvement on 5LX02AW models.
 J - After 4/26/00.
 K - Includes Resonator and Mounting Hardware.
 M - Includes Mounts and Hardware.
 N - Use with IRC5LX02.