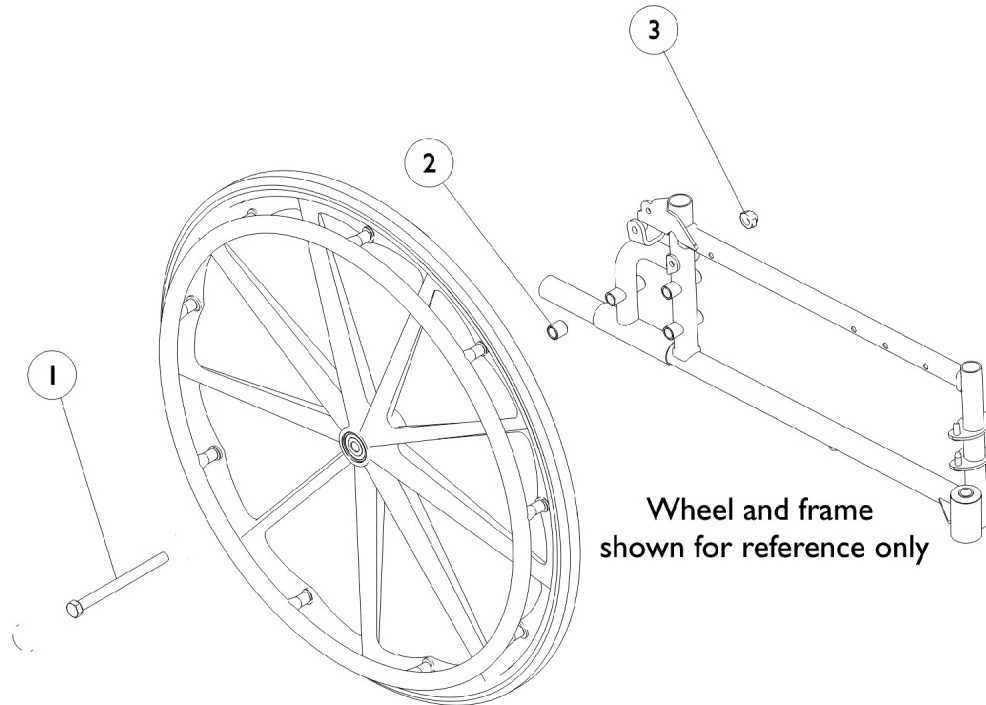


Rear Wheel Hardware

NOTE: If your chair was built with a serial # starting with "03H" or "03I", please contact an Invacare Parts Specialist for replacement parts at 1-800-333-6900 Ext. 3722.



Item Number	Note	Part Number	Description	Quantity Per	
				Package	Assembly
1		47203X020	Axle (5/8-18 x 4-3/4")	1	1
2		47183X021	Spacer (5/8 x 7/8 x 3/4")	1	1
3		60030X000	Locknut (5/8-18)	1	1
	A	1034111	Wheel Hardware - Rear	1	1

NOTE: A - Includes items 1-3.