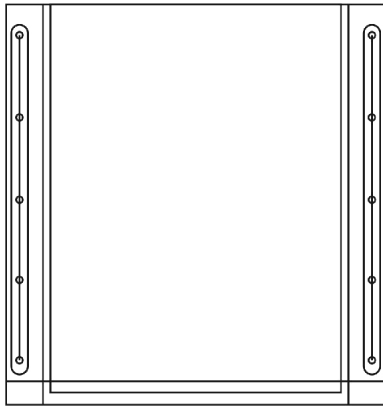
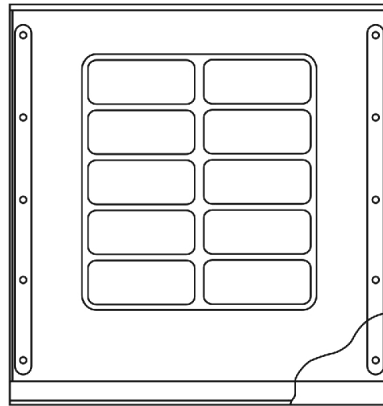


Back Upholstery

NOTE: If your chair was built with a serial # starting with "03H" or "03I", please contact an Invacare Parts Specialist for replacement parts at 1-800-333-6900 Ext. 3722.



Back Upholstery - Nylon



Back Upholstery - Vinyl

Back Upholstery

NOTE: If your chair was built with a serial # starting with "03H" or "03I", please contact an Invacare Parts Specialist for replacement parts at 1-800-333-6900 Ext. 3722.

Chair Width x Height	Vinyl Upholstery	Nylon Upholstery
18" x 16"	8881127476 See Note(s) B, A	1135517 See Note(s) B
20" x 16"	8881127576 See Note(s) A, B	1135518 See Note(s) B
22" x 16"	8881135516 See Note(s) A, B	1135519 See Note(s) B
24" x 16"	8881127578 See Note(s) A, B	1127574 See Note(s) B

NOTE: A - Specify upholstery color when ordering. See category titled, "Upholstery and Frame Colors."
B - Upholstery kits include hardware.

Hardware for Back Upholstery

Part Number
1131378
12 each - Washer (1/4 x 3/4 x 3/32")
12 each - Screw (#12 x 7/8")