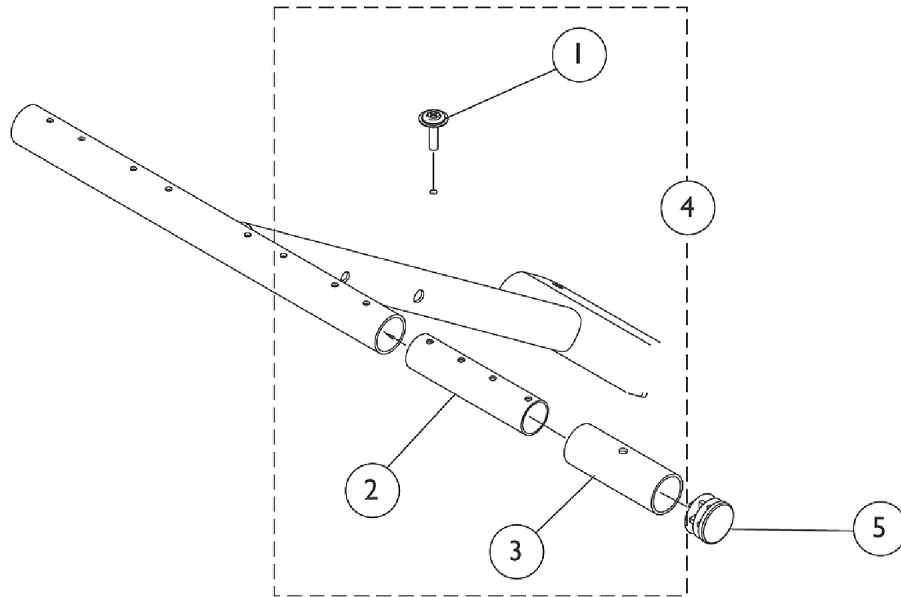


# Seat Extension Kit



Item Number	Note	Part Number	Description	Quantity Per	
				Package	Assembly
1		1076283	Screw, Phillips Oval Head w/ Washer (#10-16 x 7/8")	1	2
2		1110089	Tube, Insert	1	2
3		1110090	Spacer	1	2
4	A	1110088	Kit, Extension, Seat (2") (Pair)	2	1
5		1029501	Plug Button, Black (1")	1	1

NOTE: A - Includes items 1-3