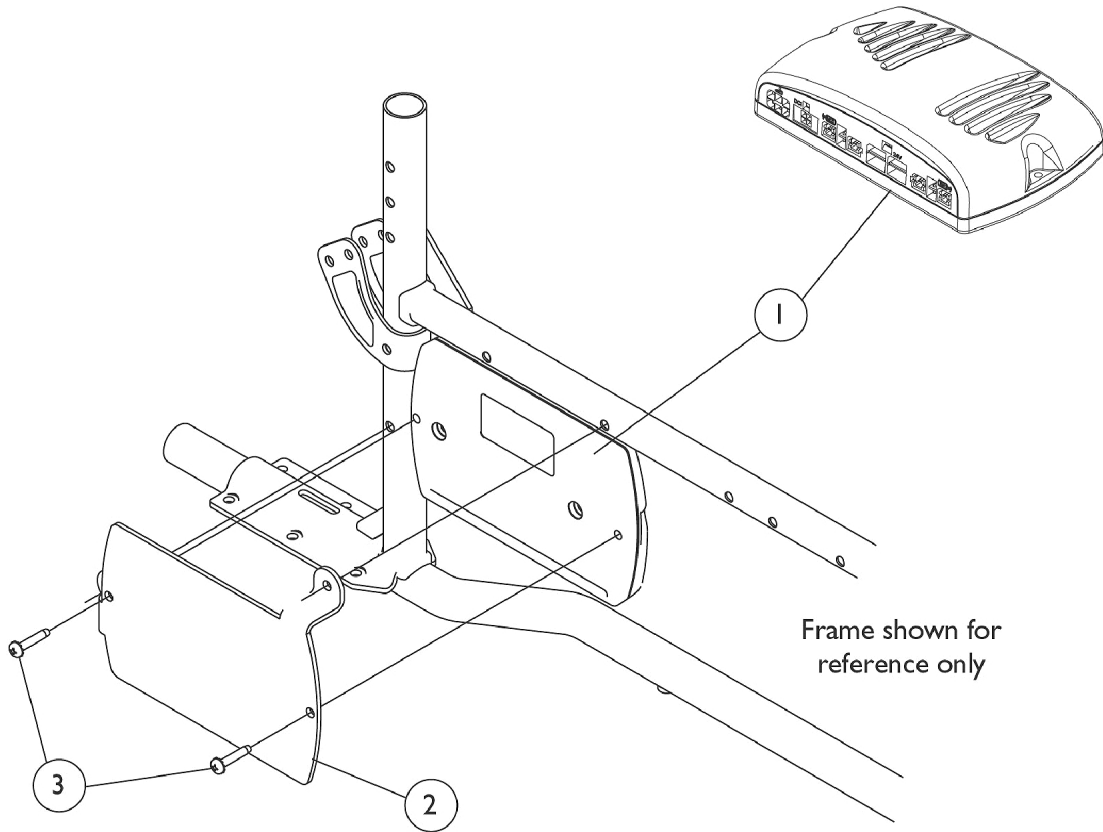


MK5 NX Controller



MK5 NX Controller

Item Number	Note	Part Number	Description	Quantity Per	
				Package	Assembly
1	A	1109530	Controller, MK5 NX	1	1
1	A	1109530E-NLA	NLA - WARR RPLMT - Controller, MK5 NX	1	1
2		1121213-NLA	NLA = Bracket, Controller Mounting, Black	1	1
3		1113439-NLA	NLA - Screw, Phillips Pan Head Tap (#10-32 x 1")	1	2

NOTE: A - The Invacare Virtual Service software is not compatible with the MK5 NX controller