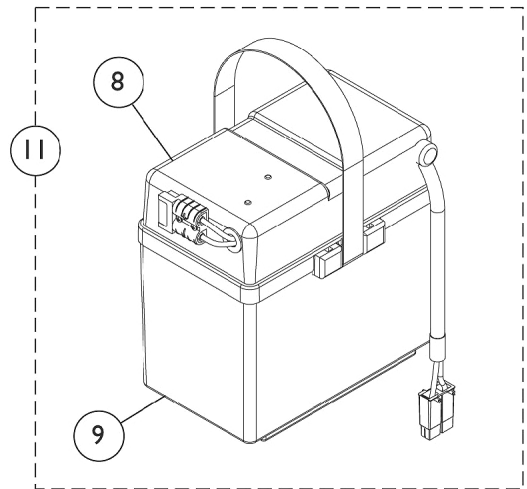
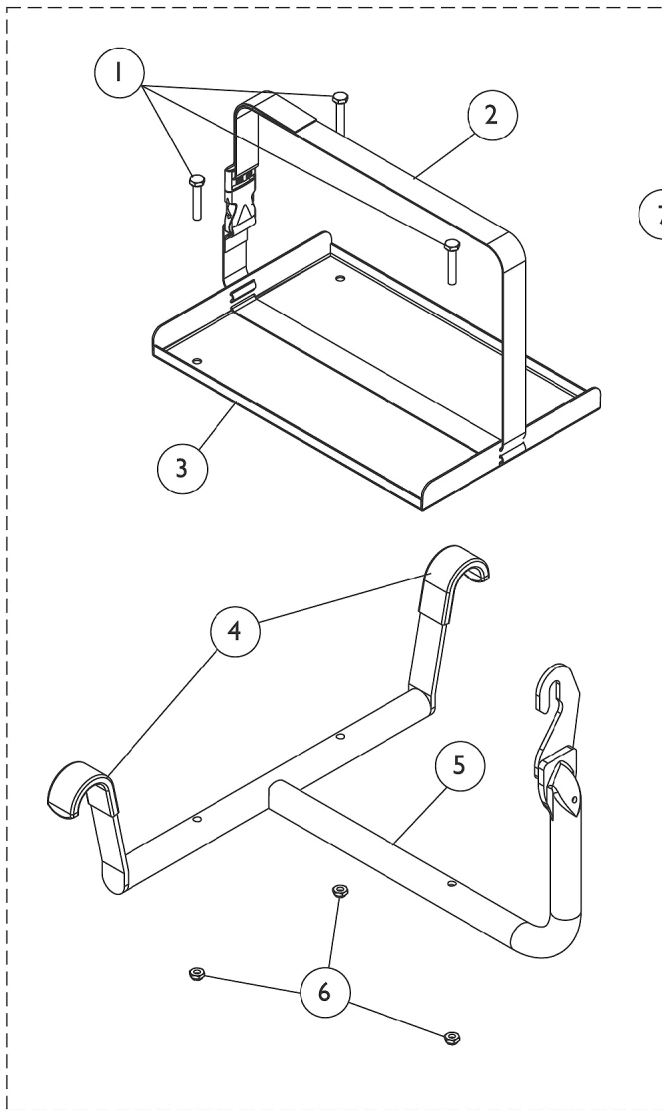
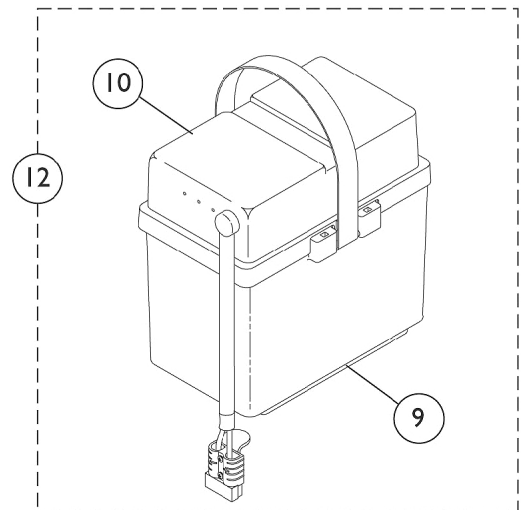


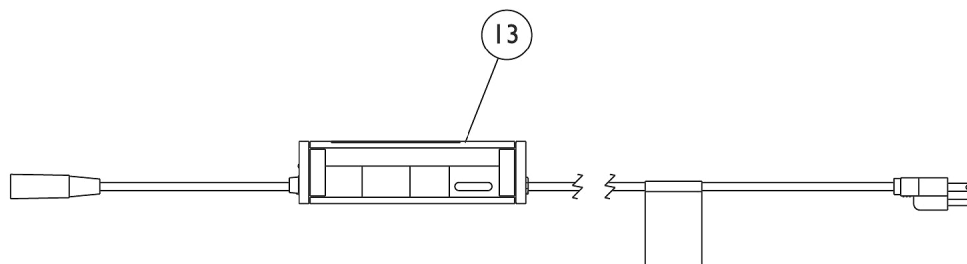
# Battery Tray, Battery Boxes, and Battery Charger



**Front Battery Box**



**Rear Battery Box**



## Battery Tray, Battery Boxes, and Battery Charger

Item Number	Note	Part Number	Description	Quantity Per	
				Package	Assembly
1		1008495	Screw, Socket Button Head (1/4-20 x 1-1/2")	1	3
2		1107671	Buckle with Strap	1	1
3		1121236-NLA	NLA - Tray, Battery	1	1
4		1107153-NLA	NLA - Cover, Hanger	1	2
5		1121222-NLA	NLA - Hanger, Battery Tray	1	1
6		1025195	NLA - Locknut (1/4-20)	1	3
7	A	1121225-NLA	NLA - Battery Tray Assembly	1	1
8		1115248-NLA	NLA - Top, Battery Box, Front, 22NF	1	1
9		1057944	Battery Box Bottom with Strap, 22NF	1	1
	B	1058618-NLA	NLA - Hardware, Battery Terminal, 22NF Batteries (Pair)	2	1
10		1097003	Battery Box Top, Rear, 22NF	1	1
11	C	1115917-NLA	NLA - Battery Box Assembly, Front, 22NF	1	1
	B	1107651-NLA	NLA - Decal, Front Battery Cover	1	1
12	D	1097007	Battery Box Assembly, Rear, 22NF	1	1
	B	1107652-NLA	NLA - Decal, Rear Battery Cover	1	1
13		1121089	Charger, Battery, 3 Amp, Off Board	1	1
13		1121089E-NLA	NLA - WARR RPLMT - Charger, Battery, 3 Amp (Off Board)	1	1
NOTE: A - Includes items 1-6 B - Not Shown C - Includes items 8-9 D - Includes items 9-10					