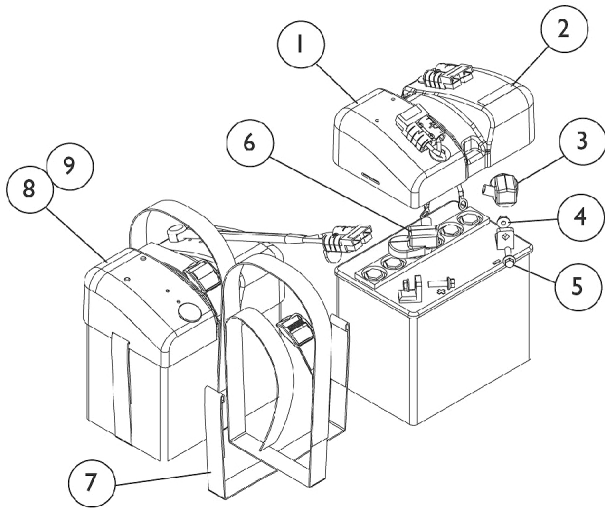
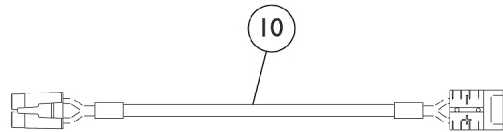


Battery Covers and Harness - MKIV Electronics

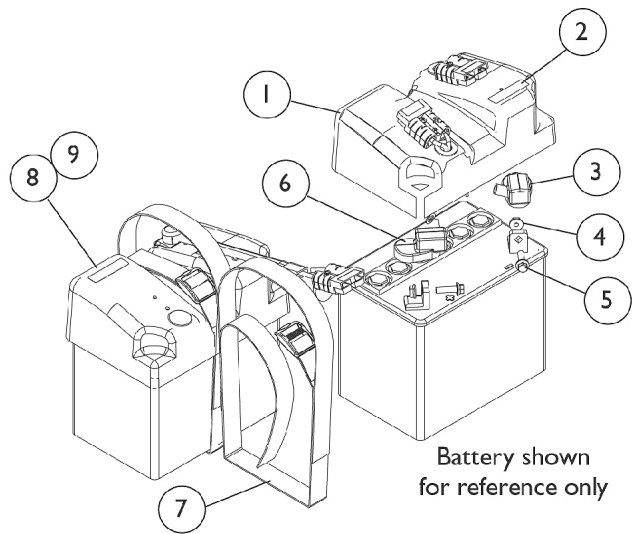
Before 10/8/03



Battery Covers Before 8/12/02



**Battery Cable Harness
Used After 6/26/03**



Battery Covers After 8/11/02

Battery Covers and Harness - MKIV Electronics Before 10/8/03

Item Number	Note	Part Number	Description	Quantity Per	
				Package	Assembly
1	A	1108240-NLA	NLA - Cover, Battery with Connectors, Dual Fixed - Front	1	1
2		1107651-NLA	NLA - Decal, Front Battery Cover	1	1
2		1107652-NLA	NLA - Decal, Rear Battery Cover	1	1
3		1096938-NLA	NLA - Cap, Battery Terminal, Gray	1	2
4		16721X000	Locknut (1/4-20)	1	4
5		1102337-NLA	NLA - Screw, Hex Flange Whiz Lock(1/4-20 x 5/8")	1	4
6		1096939-NLA	NLA - Cap, Battery Terminal, Orange	1	2
	B	1060318-NLA	NLA - Hardware, Battery Terminal, UI Batteries (Pair)	1	1
	B,E	1097278-NLA	NLA - Instruction Sheet, Battery Terminal	1	1
7	C	1108476-NLA	NLA - Strap, Battery	1	2
7	D	1113426-NLA	NLA - Strap, Battery	1	2
8	A	1108241-NLA	NLA - Cover, Battery with Connector - Rear (Single Extended)	1	1
9		1089385	Fuse, MIDI (Non-G/B & G/B) (80 AMP)	1	1
10		1116381	Cable, Battery Extension, Black Connector	1	1

NOTE: A - When a new battery cover is ordered for chairs manufactured before 8/12/02 a new battery strap part number 1113426 must be ordered. Battery covers do not have to be ordered in pairs.
 B - Not Shown
 C - Before 8/12/02
 D - After 8/11/02
 E - Item is no longer available from Invacare Service Parts Department. Refer to the Invacare Website under "Product Literature Search". Enter the part number in the "Keywords" field and download a free PDF version copy.