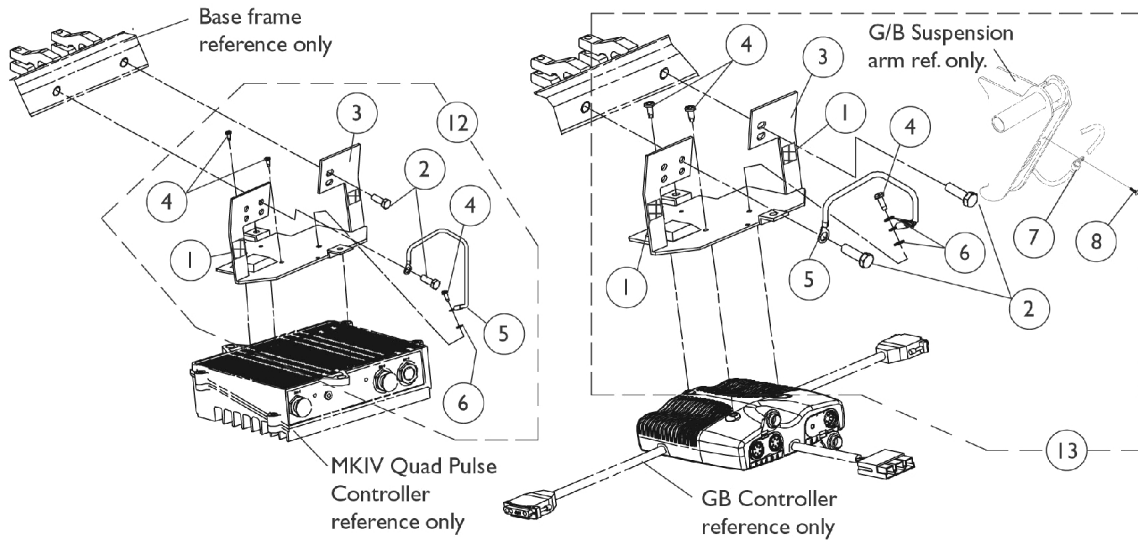
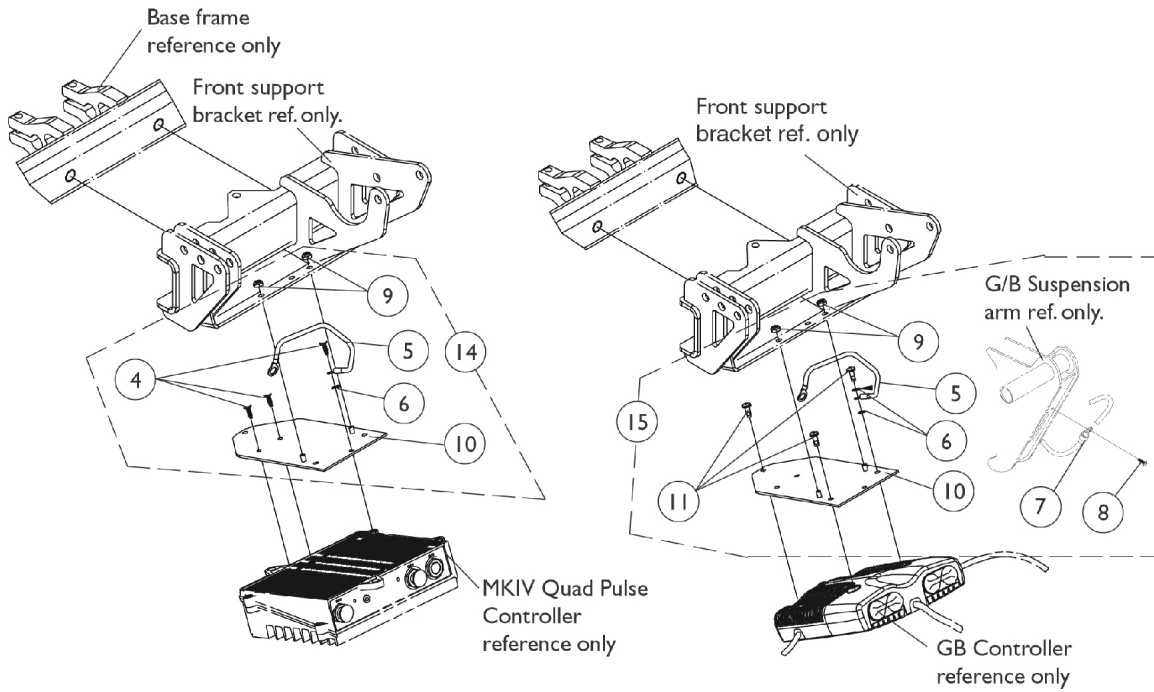


MKIV Quad Pulse and GB Controller Mounting Hardware



Controller Mounting Hardware used when a Power Tilt Only **and** Power Elevating Seat are present



Controller Mounting Hardware used when a Power Tilt Only is present **without** a Power Elevating Seat

MKIV Quad Pulse and GB Controller Mounting Hardware

Item Number	Note	Part Number	Description	Quantity Per	
				Package	Assembly
1		1070504-NLA	NLA - Fastener, Hook with Adhesive Back (1" W x 1" L)	1	2
2		1104258	Screw, Hex Head w/ Patch (5/16-18 x 1")	1	2
3		1092659-NLA	NLA - Kit, Controller Mounting Bracket with Fastener Strips, Black	1	1
4		1040223-NLA	NLA - Screw (#8-32 x 1/2")	1	3
5		1104260-NLA	NLA - Wire, Grounding Jumper Strap E.S.D.	1	1
6		1027263-NLA	NLA - Washer, Lock Internal Tooth (#10)	1	1
7		1079245-NLA	NLA - Clamp, Cable	1	2
8		1028755	Screw, Phillips Pan Head (#10-32 x 5/8")	1	2
9		1025735	Locknut (#10-32)	1	2
10		1087790-NLA	NLA - Bracket, Controller Mounting, Black	1	1
11		40163X002	Screw, Phillips Round Head (#10-32 x 1/2")	1	3
12	A	1092650-NLA	NLA - Bracket with Hardware, Controller Mounting	1	1
13	B	1092651-NLA	NLA - Bracket with Hardware, Controller Mounting	1	1
14	C	1107312-NLA	NLA - Bracket with Hardware, Controller Mounting	1	1
15	D	1107311-NLA	NLA - Bracket with Hardware, Controller Mounting	1	1
NOTE: A - Includes items 1-6 B - Includes items 1-8 C - Includes items 4-6, 9 and 10 D - Includes items 5-11					